



Benefits:

- For cameras up to 62 x 62mm cross section
- Perfect for underwater use
- IP68 protection class
- Double seal system
- Robust construction
- Flexible camera positioning
- High chemical resistance
- Vibration-proof mounting
- Camera mount included
- Excellent heat dissipation
- Integration of ring lights possible
- Tested 10h in 10m water depth



Technical Details:

Max. Camera Size (w x h)	62 x 62mm (depending on edge radius)
Max. Lens Diameter	85mm (in profile) 78mm (in front lid)
Inner Length	172mm
Enclosure Dimensions (w x h x l, without cable gland)	96 x 96 x 194mm
Window Aperture	65mm
Standard Window	BK7, double sided ARC
3" Germanium	Order Number: 20.000.018
3" Acrylic, double sided AR	Order Number: 20.000.033
Window Seal	EPDM
Protection Class	IP66 (Nema 4) IP68 (Nema 6)

Weight (without camera mount)	Approx. 1400g
Enclosure Material	Anodized Aluminum
Enclosure Seals (double)	EPDM
Inner Tube Diameter (max. connector size)	16mm
Cable Gland Seal	TPE



The mount guarantees excellent heat dissipation



3" Front Lid

Profile

RearWall

Protective Tube

Order Number (please specify the camera type for each order!):

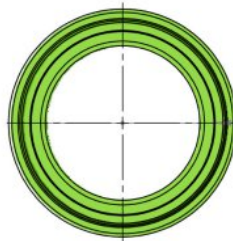
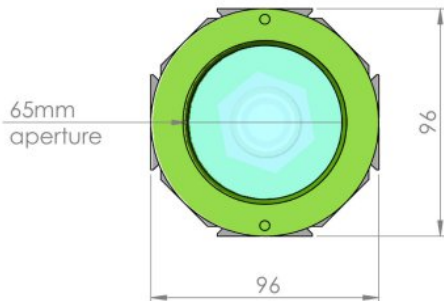
Enclosure Description	Rear Wall	Order Number
IP68 enclosure with 3" window, 5m protective tube, front and back lid with double O-ring seals	M32 cable gland for protective tube system	2X.X50.200

Accessories:

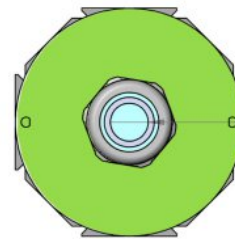
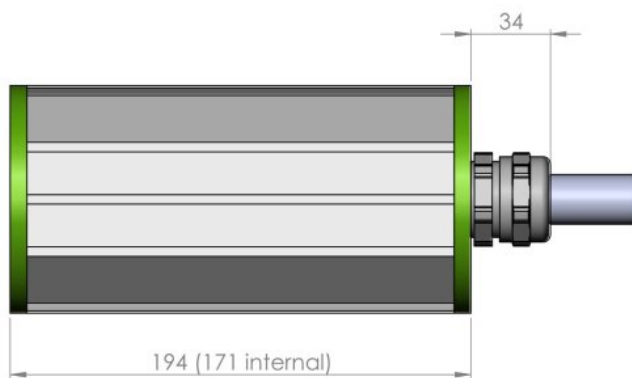
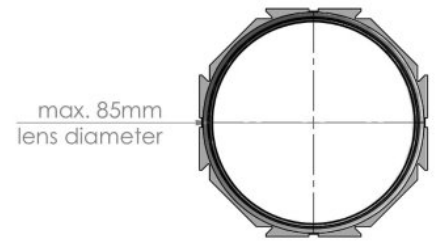
Product	Image	Order No.	Product	Image	Order No.	Product	Image	Order No.
Air Nozzle		50.100.025	Cooling Module		60.100.010	Mounting Kit 6		5.060.000
3" Wind Curtain		50.100.011	El. Heating Plate		70.100.010	Mounting Kit 7		5.070.000
Pneumatic Shutter		50.200.021	Sun Roof Size M		20.011.002	Mounting Kit 9		5.090.000
Deflection Mirror 90°		20.020.004	Mounting Tool		90.000.004	Mounting Kit 15		5.150.000
Position Ring		20.040.002	Mounting Kit 1		5.010.000	Mounting Kit 16		5.160.000
Protective Tube (1m)		20.000.005	Mounting Kit 2		5.020.000	Mounting Kit 17		5.170.000



Front Lid



Profile



ACC-AUV17-04/2019 · Subject to technical change without notice. No liability is accepted for errors which may be contained in this document.