



Benefits:

- Electro-polished V4A stainless steel AISI 316L
- For cameras up to 40 x 40mm cross section
- Robust construction
- Compact size
- High IP protection class
- Flexible camera positioning
- High chemical resistance
- Vibration-proof mounting
- Camera mount included
- Good heat dissipation
- Easy window replacement



Technical Details:

Max. Camera Size (w x h)	40 x 40mm 29 x 47mm
Max. Lens Diameter	55mm (in profile) 52mm (in front lid)
Inner Length	101 (Size S) 151 (Size M)
Enclosure Dimensions (d x l, without cable gland)	69 x 110mm (Size S) 69 x 160mm (Size M)
Window Aperture	45mm
Standard Window	BK7, double sided ARC
IR Mirror	Order Number: 20.000.010
Saphire	Order Number: 20.000.016
Germanium	Order Number: 20.000.017
Acrylic, uncoated	Order Number: 20.000.027
Acrylic, double sided ARC	Order Number: 20.000.029
Window Seal	FKM
Protection Class	IP66 (Nema 4) IP67 (Nema 6)

Weight (without camera mount)	Approx. 1700g (Size S) Approx. 2200g (Size M)
Enclosure Material	Electro-polished V4A stainless steel AISI 316L
Enclosure Seals	EPDM
Cable Gland Aperture (max. connector size)	20mm
Cable Diameter	Self drilling
Cable Gland Seal	TPE



The mount guarantees good heat dissipation



Front Lid

Profile S

Profile M

RearWall

Mount

Order Numbers:

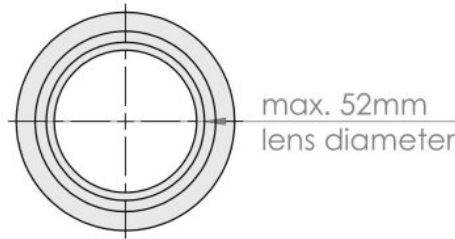
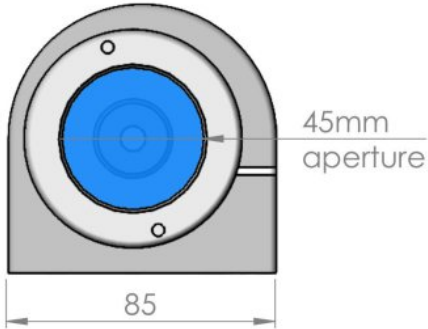
Product ID	Camera Height	Camera Length	Enclosure Type	Length
2	29: 0 30: 1 31: 2 32: 3 33: 4 34: 5 35: 6 36: 7 38: 8 40: 9	< 50mm: 3 < 74mm: 5 < 92mm: 7	30	S: 110 M: 160

Accessories:

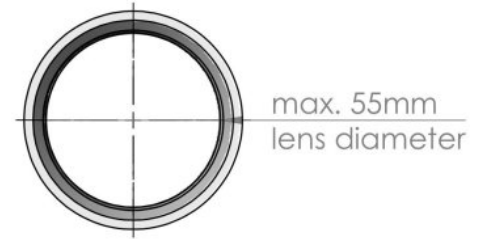
Product	Image	Order No.	Product	Image	Order No.	Product	Image	Order No.
Position Ring		20.020.003	Mounting Tool		90.000.004	Mount		5.120.000
2" Wind Curtain		50.100.010						



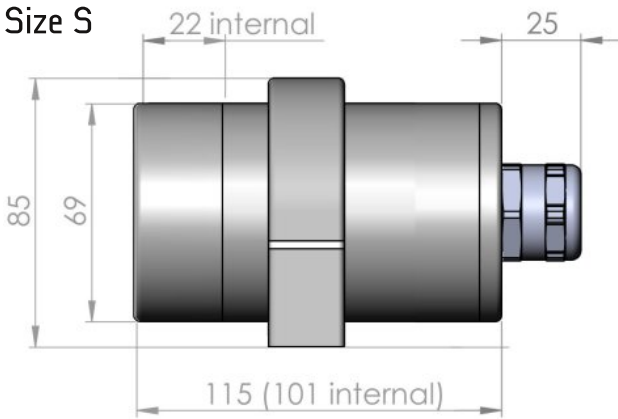
Front Lid



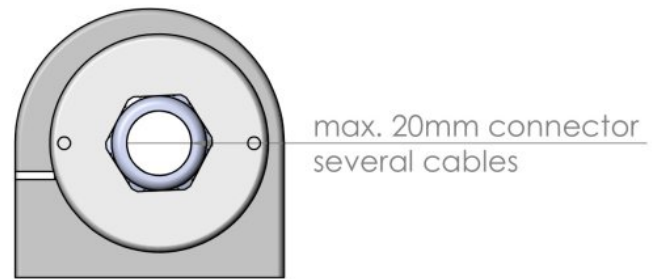
Profile



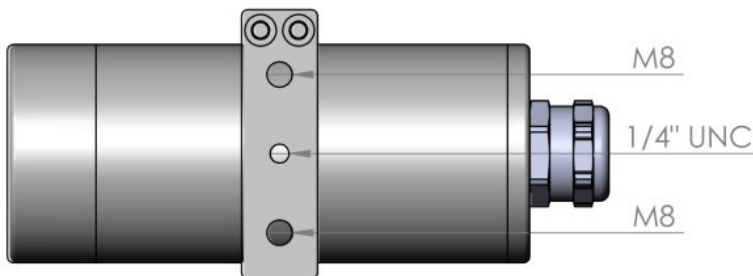
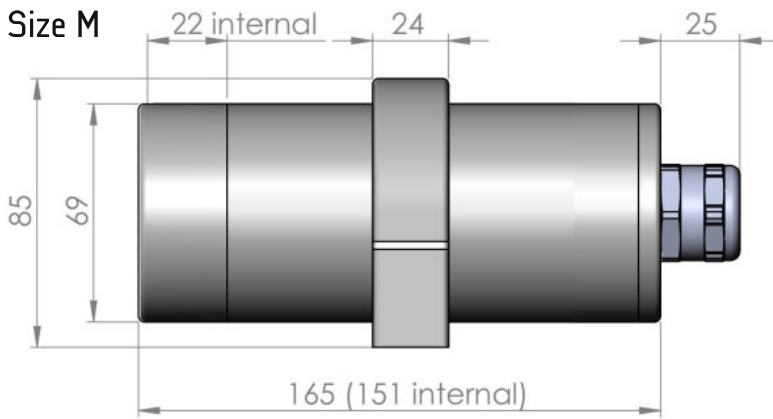
Size S



Rear Wall



Size M



ACC-AUV10-04/2019 · Subject to technical change without notice. No liability is accepted for errors which may be contained in this document.