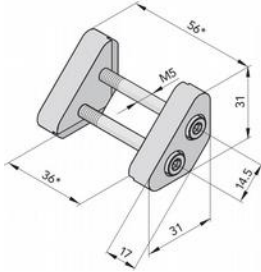


# Angles to enable a robust connection between various components



Angles in different sizes combine profiles, enclosures, walls and other components for a robust long-live connection.

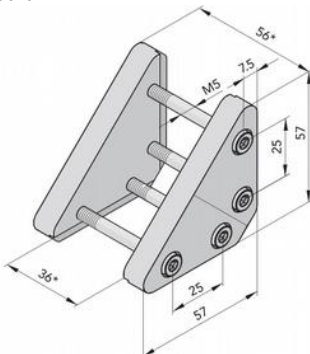
## Angle small



**Order Number:**  
10.044.607

Angle for light mechanical stress.

## Angle medium

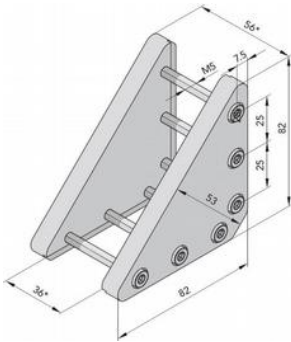


**Order Number:**  
10.059.296

Angle for medium mechanical stress.

# Angles to enable a robust connection between various components

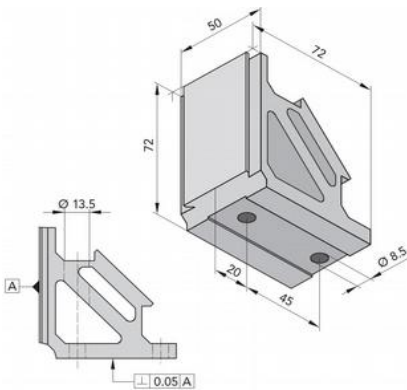
## Angle large



**Order Number:**  
10.059.297

Massive angle also for heavy mechanical stress.

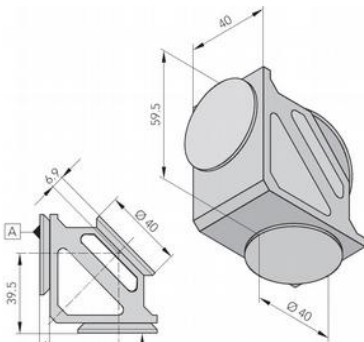
## Adapter angle dovetail / M8



**Order Number:**  
10.045.715

Adapter angle – with M8 screws mounts directly to the floor, machine or T-slot profile.

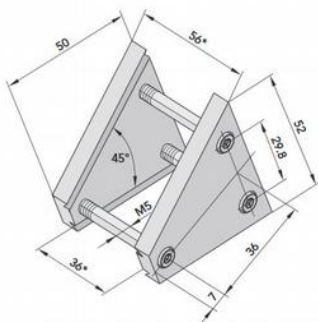
## Rotational adjustment angle



**Order Number:**  
10.045.852

Multi-axe adjustable rotation angle for maximum flexibility.

## Angle 45°



**Order Number:**  
10.045.241

Angle for 45° assembly.