

# Dovetail profiles for mounting machine vision systems

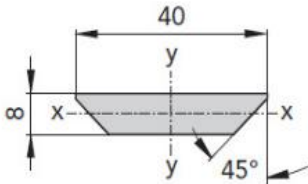


These profiles allow a simple integration of cameras, lights and other components into a machine.

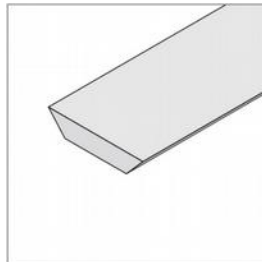
## Technical Highlights:

- Exactly:** more accurate than standard T-Slot profiles, straightness better than 0.5mm/m. Mounting clamps shift along a straight line, moving sliding blocks in a T-slot profile is not exactly.
- In any desired length available:** up to the maximum length.
- Universal:** for every application there is the appropriate profile.
- Adaptable:** structures can be easily adjusted in height and width, without the need for machining of the profile is required.
- Stressable:** by using mounting clamps - as well autoVimation's camera enclosures - your construction is immovable connected and resists a displacement force of up to 2000N!
- Defined position:** Attaching camera enclosures with dovetail brackets.

### 8x40mm Dovetail profile single sided



Weight: 0.732 kg/m |  $W_x = 0.32 \text{ cm}^3$  |  $W_y = 1.36 \text{ cm}^3$

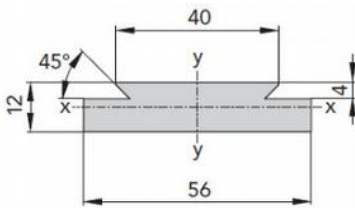


Adapter plates, light mounting arms

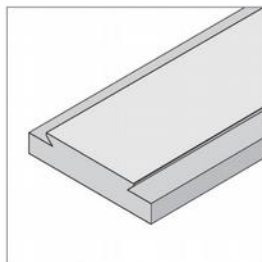
Length	Order Number
0.3m	1.010.300
0.5m	1.010.500
1m	1.011.000
2m	1.012.000
Individual length in mm	1.01X.XXX

Maximum length 2m

### 56x12 Dovetail profile single sided wide / strong



Weight: 0.73kg/m |  $W_x = 1.04 \text{ cm}^3$  |  $W_y = 4.83 \text{ cm}^3$

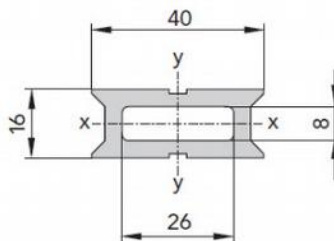


Adapter plates

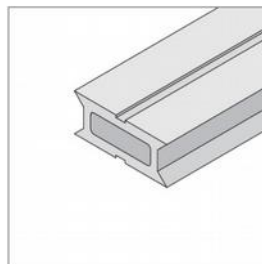
Length	Order Number
0.3m	1.050.300
0.5m	1.050.500
1m	1.051.000
2m	1.052.000
Individual length in mm	1.05X.XXX

Maximum length 2m

### 16x40 Dovetail profile double sided



Weight: 0.98 kg/m |  $W_x = 1.025 \text{ cm}^3$  |  $W_y = 1.64 \text{ cm}^3$



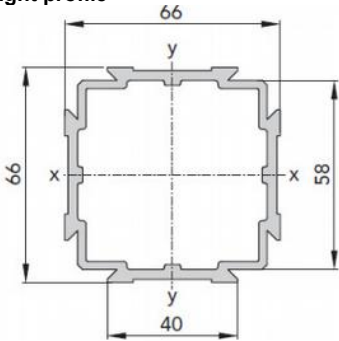
Camera bridge

Length	Order Number
0.3m	1.020.300
0.5m	1.020.500
1m	1.021.000
2m	1.022.000
Individual length in mm	1.02X.XXX

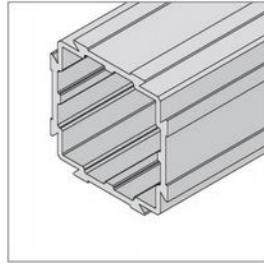
Maximum length 2m

# Dovetail profiles for mounting machine vision systems

## 66x66 light profile



Weight: 2.186 kg/m |  $W_x = W_y = 13 \text{ cm}^3$

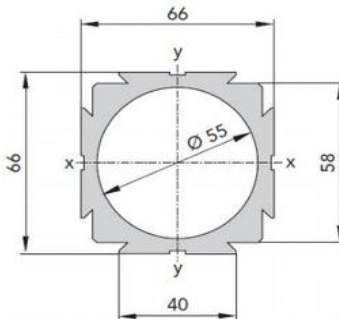


**Gecko enclosure profile**  
Medium strength camera frame

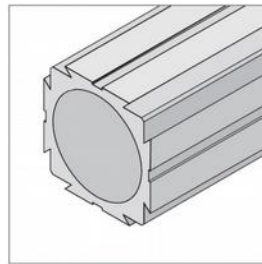
Length	Order Number
0.3m	1.030.300
0.5m	1.030.500
1m	1.031.000
2m	1.032.000
Individual length in mm	1.03X.XXX

Maximum length 3m

## 66x66 stable profile



Weight: 3.99 kg/m |  $W_x = W_y = 23 \text{ cm}^3$

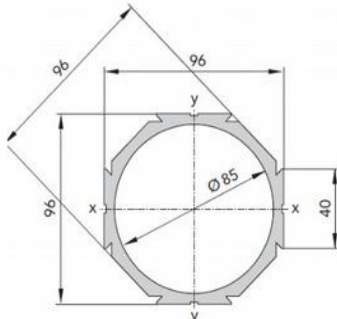


**Salamander enclosure profile**  
Strong camera frame

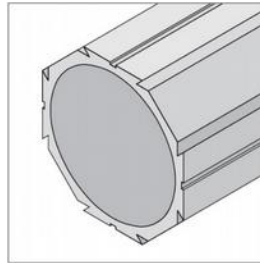
Length	Order Number
0.3m	1.040.300
0.5m	1.040.500
1m	1.041.000
2m	1.042.000
Individual length in mm	1.04X.XXX

Maximum length 3m

## 96x96 stable profile



Weight: 4.77 kg/m |  $W_x = W_y = 37.82 \text{ cm}^3$

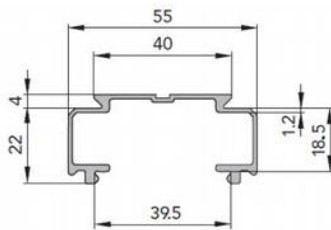


**Orca enclosure profile**  
Massive camera frame

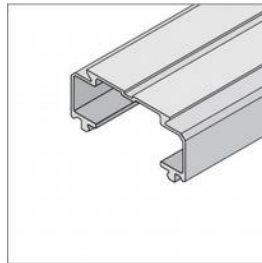
Length	Order Number
0.5m	1.060.500
1m	1.061.000
2m	1.062.000
3m	1.063.000
Individual length in mm	1.06X.XXX

Maximum length 3m

## Cable channel, snap on



Weight: 0.549 kg/m



**Cable channel**  
Not suitable for high loads

Length	Order Number
0.3m	1.080.300
0.5m	1.080.500
1m	1.081.000
2m	1.082.000
Individual length in mm	1.08X.XXX

Maximum length 2m