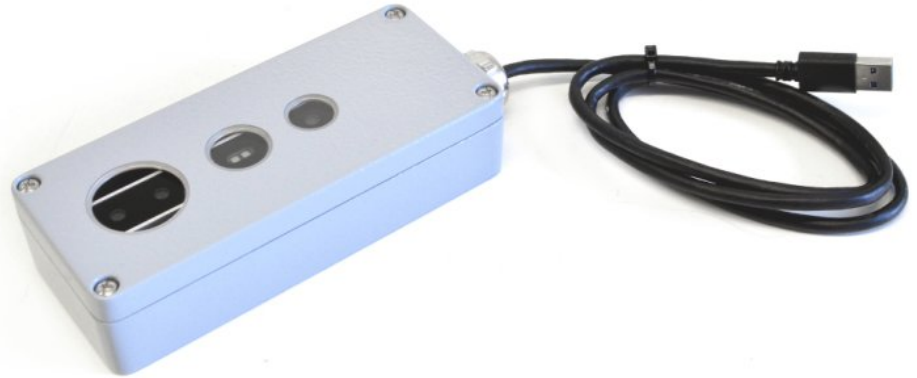




Benefits:

- Robust construction
- High IP protection class
- High chemical resistance
- Vibration-proof mounting
- Camera mount included
- Good heat dissipation
- Compact size
- Affordable price
- Adaptable to all Mounting Kits
- USB cable feeds through the cable gland



Technical Details:

Dimensions (w x h x l, without cable gland)	150 x 64 x 34mm
Weight	Approx. 500g
Window Material	BK7
Colour	Light grey, RAL 7001 other colours on request
Enclosure Material	Powder Coated Aluminum
Enclosure Seals	Polyurethane
Options	- Dovetail profiles - Pressure equalising valve for outdoor use

Temperature Range	-30 to +50°C
Protection Class	IP66 (Nema 4)
Cable Gland Aperture (max. connector size)	16.5mm
Cable Diameter	4-6.5mm
Cable Gland Seal	TPE



The mount guarantees good heat dissipation



The enclosure adapts to all Mounting Kits

Order Numbers:

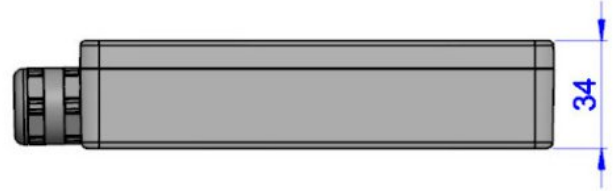
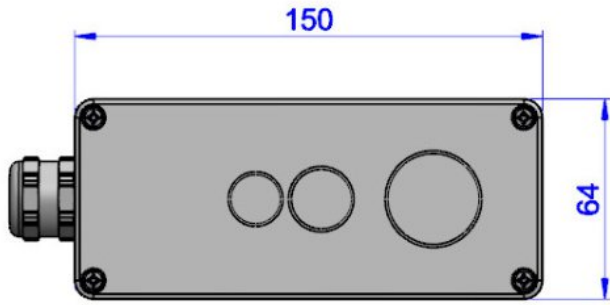
Chameleon XS			
Enclosure Type	Order Number	Enclosure Type	Order Number
RealSense D415	20.105.390	RealSense D435	20.105.391

Accessories:

Product	Image	Order No.	Product	Image	Order No.	Product	Image	Order No.
40mm Adapter		20.105.994	Mounting Kit 15		5.150.000	Mounting Kit 21		5.210.000
Mounting Kit 1		5.010.000	Mounting Kit 16		5.160.000	Mounting Kit 24		5.240.000
Mounting Kit 2		5.020.000	Mounting Kit 17		5.170.000	Mounting Kit 26		5.240.000
Mounting Kit 6		5.060.000	Mounting Kit 18		5.180.000	Mounting Kit 27		5.270.000
Mounting Kit 7		5.070.000	Mounting Kit 19		5.190.000	Mounting Kit 28		5.280.000
Mounting Kit 9		5.090.000	30mm Adapter		20.105.993	Mounting Kit 29		5.290.000



D435



D415

