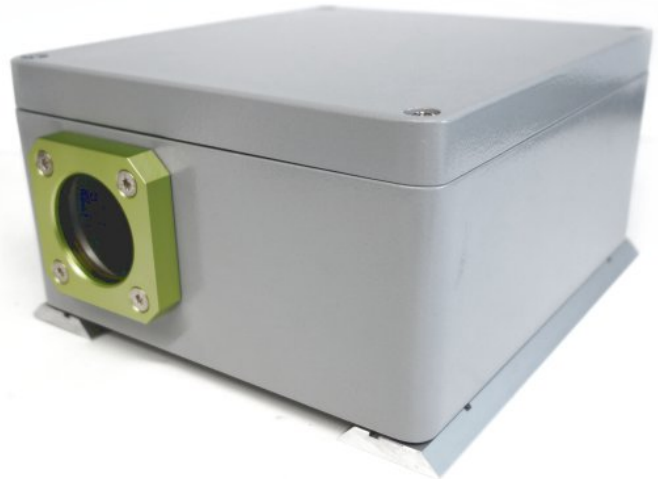




Benefits:

- Robust construction
- High IP protection class
- High chemical resistance
- Vibration-proof mounting
- Camera mount included
- BK7 or acrylic windows available
- Good heat dissipation thanks to heat conductive tape between camera and enclosure
- Easy assembly
- With Orca adapter also for wide angle lenses



Technical Details:

Dimensions (l x w x h, without cable gland and dovetail mounting plate)	230 x 200 x 111mm
Weight (without dovetail profiles)	Approx. 3000g

Window Materials	BK7, double sided ARC Acrylic, double sided ARC
Window Aperture	45mm
Window Seal	FKM (Viton)

Colour	Light grey, RAL 7001 other colours on request
Enclosure Material	Powder Coated Aluminum
Enclosure Seals	Polyurethane

Options	- Dovetail mounting plate - Pressure equalising valve for outdoor use
----------------	---

Protection Class	IP66 (Nema 4) IP67 (Nema 6)
-------------------------	--------------------------------

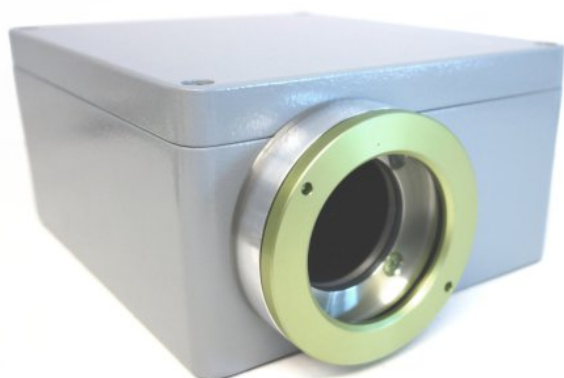
Cable Gland Aperture (max. connector size)	26.5mm (M32, GigE) 42mm (M50, Camera Link)
--	---

Cable Diameter	Self-drilling
-----------------------	---------------

Cable Gland Seal	TPE
-------------------------	-----



The mount guarantees good heat dissipation



Thanks to the Orca adapter lenses with shorter focal length are also usable



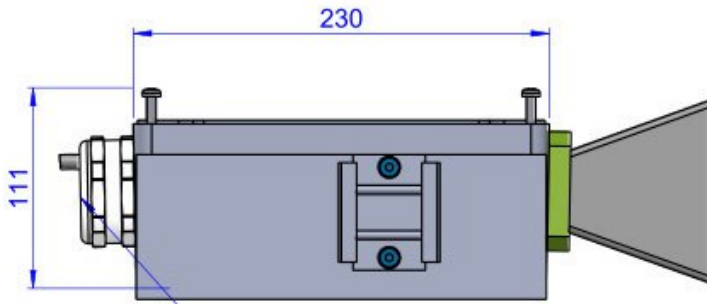
Chamäleon FX with dovetail profiles to use Mounting Kits

Order Numbers:

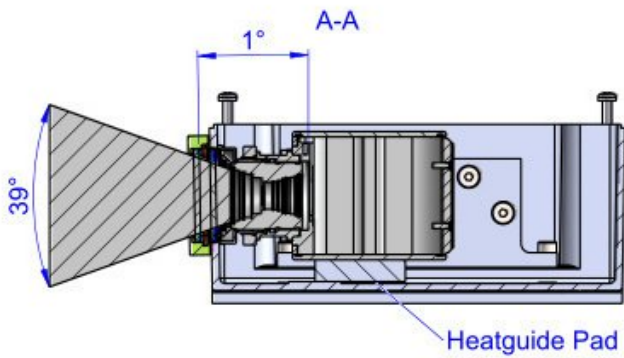
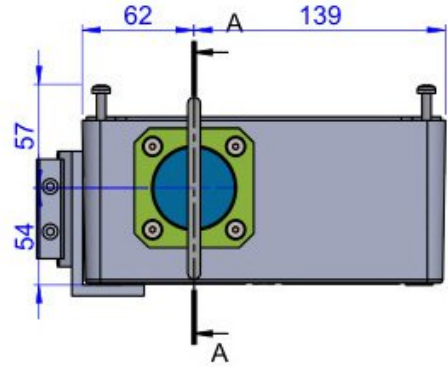
Chameleon FX			
Enclosure Type	Order Number	Enclosure Type	Order Number
FX10, M32 (GigE)	20.105.294	FX17, M32 (GigE)	20.105.293
FX10, M50 (Camera Link)	20.105.291	FX17, M50 (Camera Link)	20.105.295
Dovetail Mounting Plates	20.105.995	Surcharge 2" Acrylic ARC	20.000.049
		Surcharge 2" Acrylic FDA	20.000.032

Accessories:

Product	Image	Order No.	Product	Image	Order No.	Product	Image	Order No.
2" Wind-curtain		50.100.010	30mm Extension		15.030.030	Mounting Kit 7		5.070.000
Tube for 2" wind curtain		50.100.017	60mm Extension		15.030.085	Mounting Kit 9		5.090.000
3" Wind-curtain		50.100.011	Mounting tool		90.000.004	Mounting Kit 10		5.100.000
Orca adapter		15.030.002	Mounting Kit 1		5.010.000	Mounting Kit 15		5.150.000
Surcharge 3" front lid		20.000.019	Mounting Kit 2		5.020.000	Mounting Kit 16		5.160.000
Surcharge M72 lid		20.040.018	Mounting Kit 6		5.060.000	Mounting Kit 17		5.170.000
Surcharge Dome lid		20.040.015						



M50 cable gland for large connectors that fit through 42mm diameter aperture



ACC-AUVI25-08/2020 - Subject to technical change without notice. No liability is accepted for errors which may be contained in this document.