

CC Series

apg

Allison Park Group, Inc.

The CC Series enclosure is designed to house up to 30 x 30mm cross section inline cameras, lasers, or sensors. Engineered for high temperature environments with ambient temperatures of up to 550°F (287°C).

Product Features

- Liquid or air cooled
- Rugged
- Anti-corrosive

Construction

- 316 stainless steel body and fasteners
- Tumbled polish finish

Environment

- Speciality/High temperature

Accessories

- Hot mirror glass
- Heat shield



Camera and Lens Size Viewing Window

Universal Models

Model CC-AF length: 279mm
Net weight: 2.6 kg (5.1 lbs), Gross weight: 3.1 kg (6.8 lbs)

Camera Mounting

Universal camera mount

Viewport

Soda Lime glass

Viewing Area

60mm Dia.

Cable Entry

PG29 Split cable gland

Camera Specific Models

Model CC-AG length: 152mm

Camera Mounting

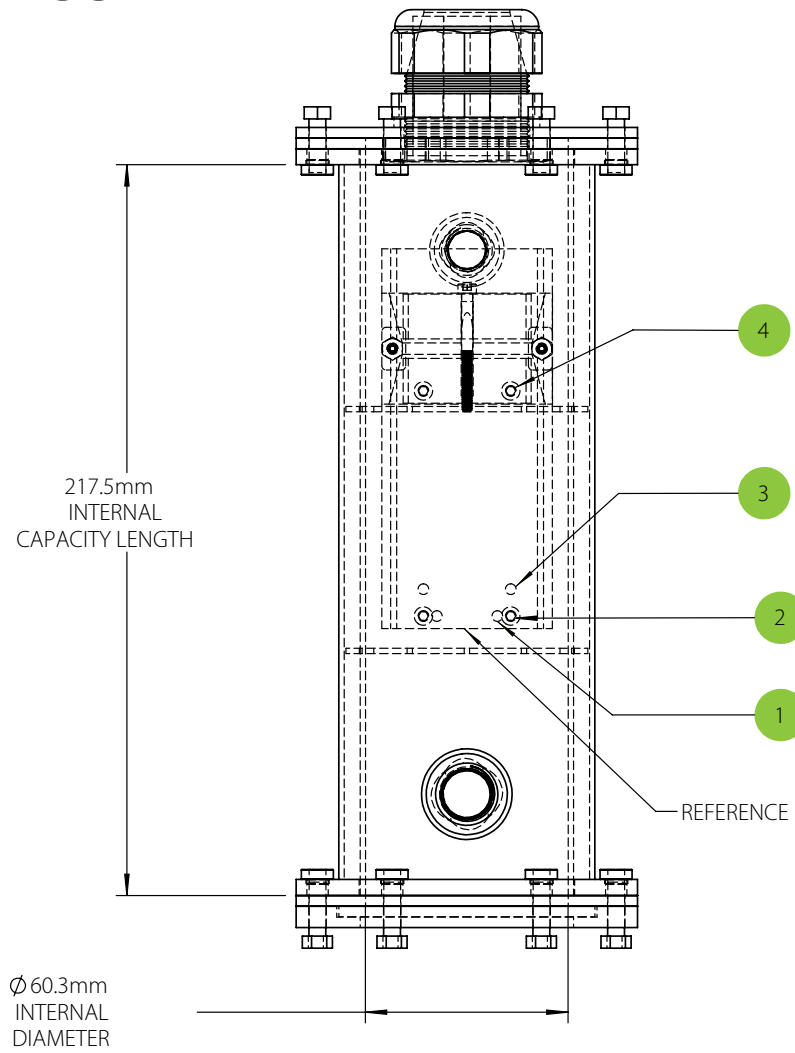
Cognex 5000/Matrox GT

Soda Lime glass

63mm Dia.

PG29 Split cable gland

CC Series



Item Number	Fastener Size, metric	Hole Spacing Across Width, mm	Distance from Reference, mm
1	M3	18	3.7
2	M3	26	3.7
3	M3	26	11.7
4	M3	26	70.1

ACC-APG12-11/2019 - Subject to technical change without notice. No liability is accepted for errors which may be contained in this document.

apg