

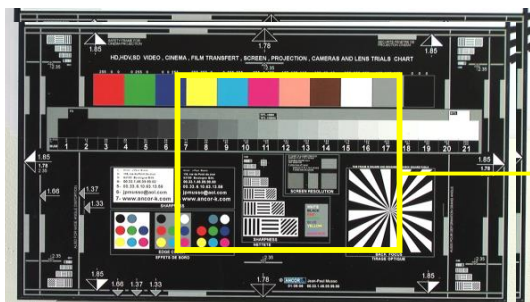
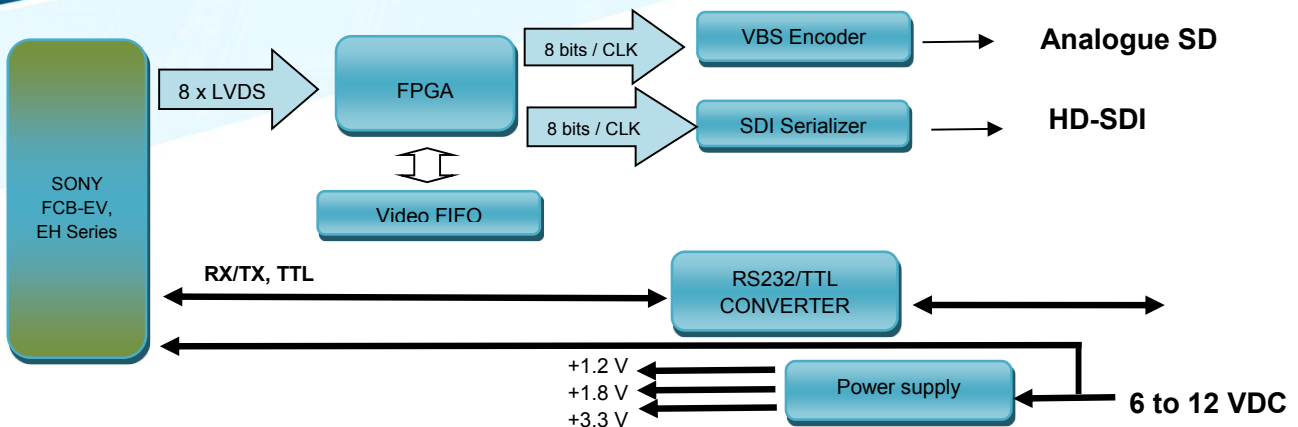
Dual HD-SDI & Analogue SD

FOR SONY FCB-EV & EH Series

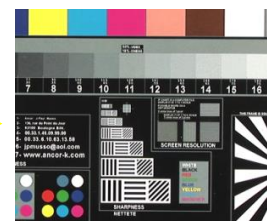


- HD-SDI digital and analog SD video output
- Support up to 1080p50/60 resolution
- Output **simultaneously** HD-SDI & Analogue NTSC/PAL
- TTL or RS232 VISCA dialog level.
- 6 to 12 VDC protected power supply

Block diagram



Simultaneous Analog Video Output specification



Cropped NTSC/PAL video
(Central ROI of HD picture)

TARGET APPLICATIONS



UAV'S / ROV'S / Inspection / Traffic control / ANPR / Medical / sport / entertainment

Onboard Connectors



J1 Sony LVDS Camera Input

J2 HD-SDI output

COM + Power IN + Analogue Output

1	RxD (camera Input TTL or RS232)
2	TxD (Camera output TTL or RS232)
3	0V-GND
4	+V
5	0V-GND
6	VBS
7	0V-GND
8	NC
9	NC

LED blink	Status
1	Initialization OK
2	FPGA loading OK
3	FPGA clock OK
4	VBS coder OK

TTL / RS232 Dialog level

B + A Bridge soldering	RS232 level
B + C Bridge soldering	TTL level

Functions	Specifications
Digital video output (TV80 0036)	SMTPE 424M up to 1080p50/60
Digital video output (TV80 0014)	SMTPE 292M up to 1080p25/30
Analogue video output	NTSC when the HD configuration is 1080p30 or 1080p60
Analogue video output	PAL when the HD configuration is 1080p25 or 1080p50
Camera setting	VISCA – Default : RS232 Level – Option TTL level
Sync system	Internal
Power supply	6 to 12 VDC, 5 W (including camera)
Operating temperature range	0°C to 60°C
Storage temperature range	-20°C to 60°C
Dimensions (mm)	50 (H) x 50 (W) x 10 (D)

HD-SDI & Analogue SD interface set for Sony FCB-EV & EH Series

P/N	TV80 0036 (up to1080p60)	TV80 0014 (up to1080p30)
Content		
HD-SDI & Analogue interface board - ref. TV10 0015 rev E	✓	
HD-SDI & Analogue interface board - ref. TV10 0015 rev D		✓
30 way USL20-30SS-012-C Cable assembly	✓	✓
9 way FFC ribbon, 100 mm long	✓	✓

PB_TWIGA_HD-SDI & Analogue SD_24/02/2017

ACQ-TW113-04/2018 · Subject to technical change without notice. No liability is accepted for errors which may be contained in this document.