



# CoaXPress CABLES

## NEXT GENERATION DIGITAL INTERFACE

### PART NUMBER REFERENCE

**C** | **X** | **X** | **X** | **X** | **X** | **X** | **X** | **X** | **X**

#### Select Connector Type: End "A"

- BNC = 1
- 5W5 = 2
- DIN 1.0/2.3 = 3

Use "0" for Non-molded  
Multiple DIN 1.0/2.3 ONLY

#### Quantity of Connectors:

0\*, 1, 2, 3, 4, or 5  
(See page 39 for DIN Configurations:  
Types 61, 6, 41, 4, 22, 21, 2, 11 & 1)

#### \*\*Cable Type Options:

- 3G-SDI Coax = 1
- HIFLEX RG59 = 2
- RG6 = 3

#### Select Connector Type: End "B"

- BNC = 1
- 5W5 = 2
- DIN 1.0/2.3 = 3

Use "0" for Non-molded  
Multiple DIN 1.0/2.3 ONLY

#### Quantity of Connectors:

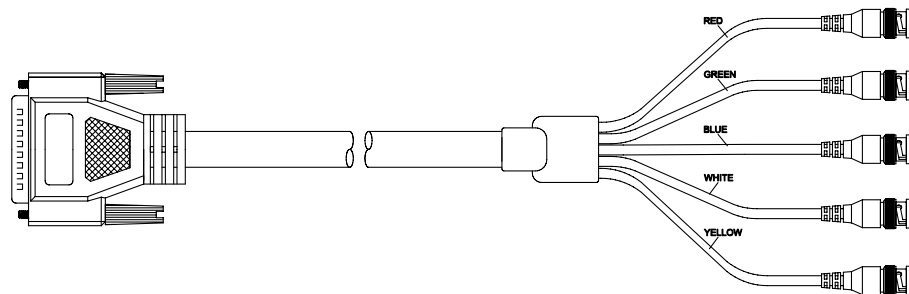
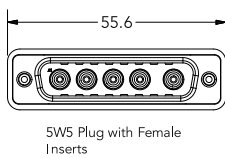
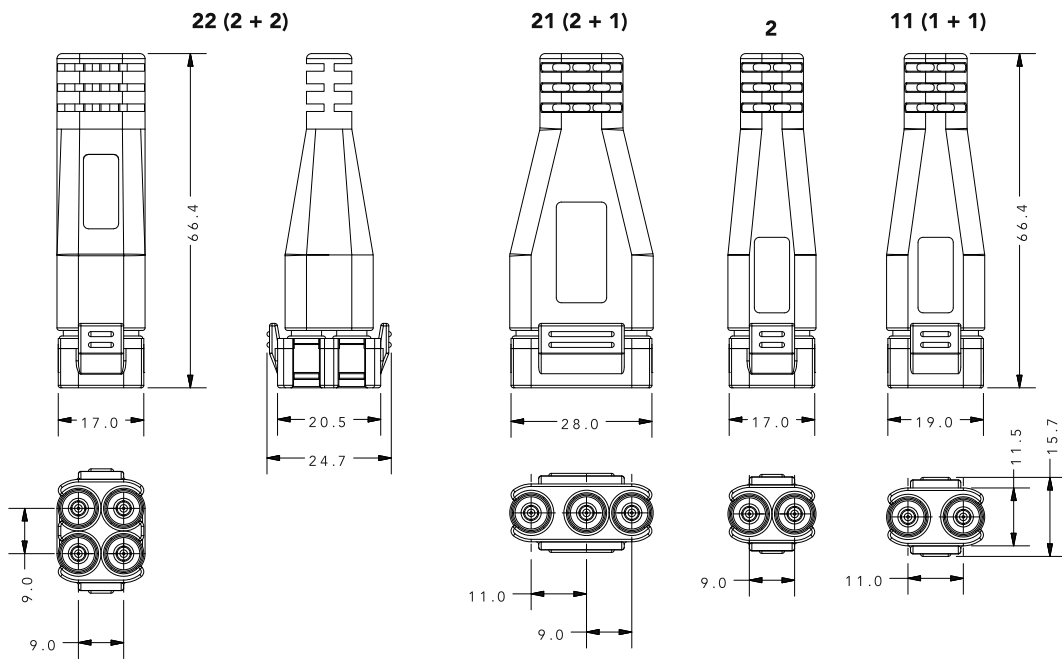
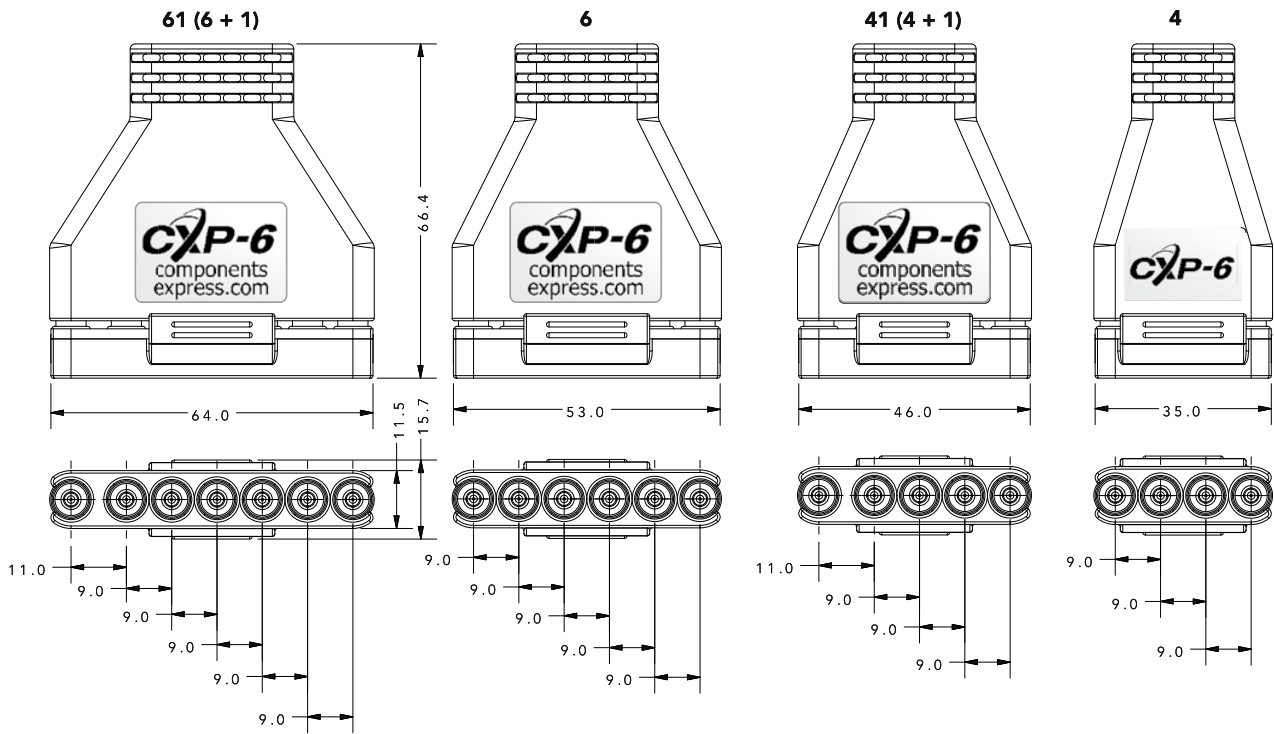
0\*, 1, 2, 3, 4, or 5  
(See page 39 for DIN Configurations:  
Types 61, 6, 41, 4, 22, 21, 2, 11 & 1)

#### Option: Length in Meters

\* For use with 5W5 connector only.

\*\*Reflects cable style used, see specification sheet for dimensional information per configuration.

REV. B



KL-CE2-03/2015 - Subject to technical change without notice. No liability is accepted for errors which may be contained in this document.

REV. B