

4MP Low Light Camera-Link Camera



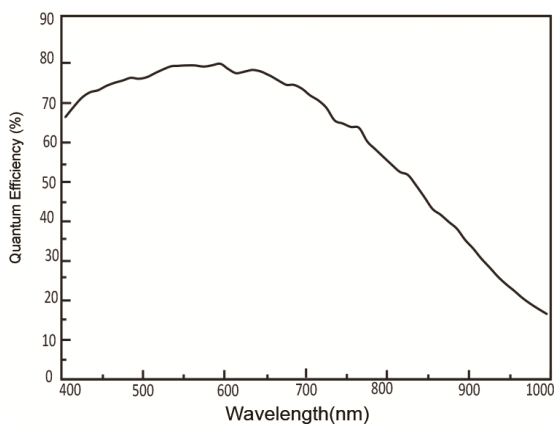
Applications

- 3D high speed laser scanning
- Ballistic monitoring
- Measurement and analysis of particles movement track and morphology
- Ultra high resolution fluorescence imaging

Advantages

1. Scientific CMOS sensor
2. Global shutter
3. Quantum efficiency :80 %@625 nm
4. High speed preview :73fps@4MP
5. Full well capacity:19000 e⁻@ Global shutter
6. High dynamic range up to 70 dB
7. Camera Link

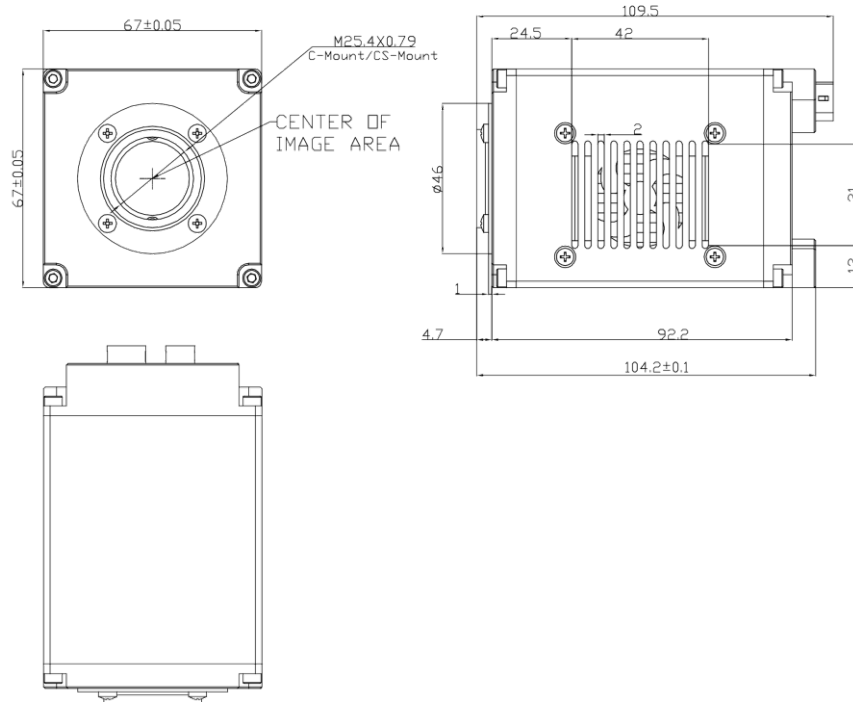
Data Graphics



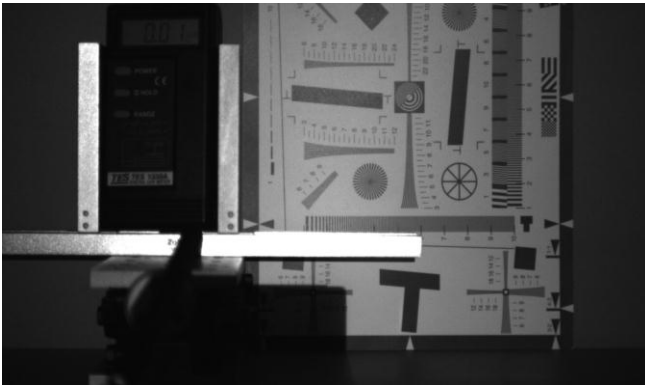
Technical Specification

Product Model	S-400-M-G-CL	S-400-M-R-CL
Image Sensor		
Sensor Type	sCMOS	
Sensor Size	1.2 inch	
Color Mode	Monochrome	
Effective Pixels	4MP	
Image Resolution	2048x2048	
Pixel Size	6.5µm x 6.5µm	
Camera Parameters		
Quantum Efficiency	80 % @ 625nm	
Readout Noise	8e ⁻	1.9e ⁻
Full-well Capacity	19000e ⁻	41000e ⁻
Lowest Illumination	0.001 lux (@25ms)	
Dynamic Range	70dB	87dB
Shutter Type	Global shutter	Rolling shutter
Exposure Control		
Exposure Mode	Manual/auto/ trigger	
Exposure Time	0.02ms-10s	
Image Processing		
Settings	ROI, mirror, gamma, contrast, external trigger mode, etc	
Scan Mode	Progressive	
A/D	10bit or 12 bit	12bit
Cooling	Fan cooling	
Preview & Transmission		
Frame Rate	73fps	46fps
Data Transfer	Medium Camera Link	
Data Cable	2 SDR-26 camera link cable	
Interface		
Optical Interface	C/CS mount	
Power Interface	12V/1A	
Others		
Power consumption	<9W	<6W
Dimension (mm)	Camera: 67 × 67 × 110	
	PCB: 60 × 60 × 70	
Weight (g)	Camera: 687	
	PCB: 115	
Operating temp.	-40°C ~ 60°C	
Storage temp.	-55°C ~ 70°C	

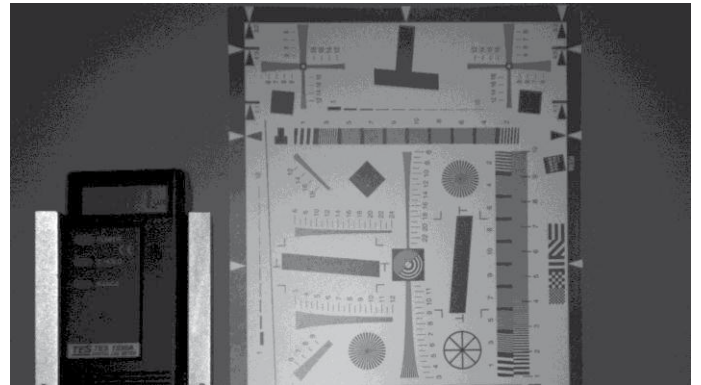
Dimensions



Application Case



0.01Lux rolling shutter image



0.01Lux global shutter image