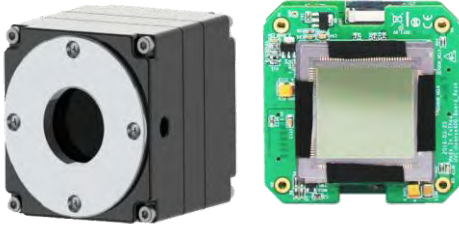


Ultraviolet Imaging Camera



Applications

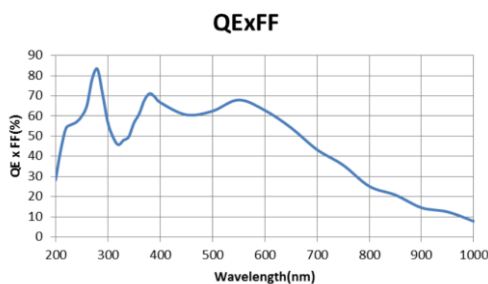
UV detection
Spectrum detection
Forensics

Medical imaging

Product Advantages

1. Back-illuminated chip technology
2. 180-1100nm UV spectral response
3. Low readout noise(1.3 e⁻)
4. 100000 e⁻ full well capacity
5. 93 dB dynamic range
6. 4MP,25fps high frame rate preview
7. USB3.0 power supply
8. USB3.0 output with multiple trigger functions

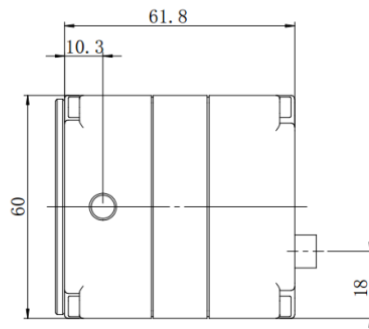
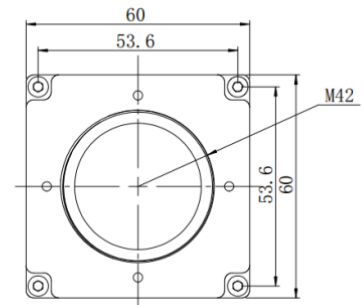
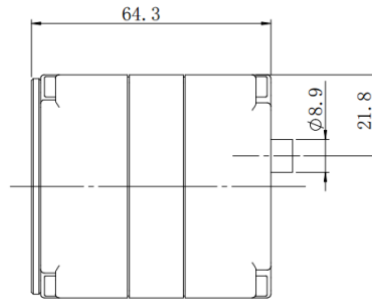
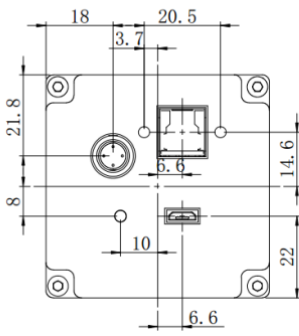
Spectral Respond



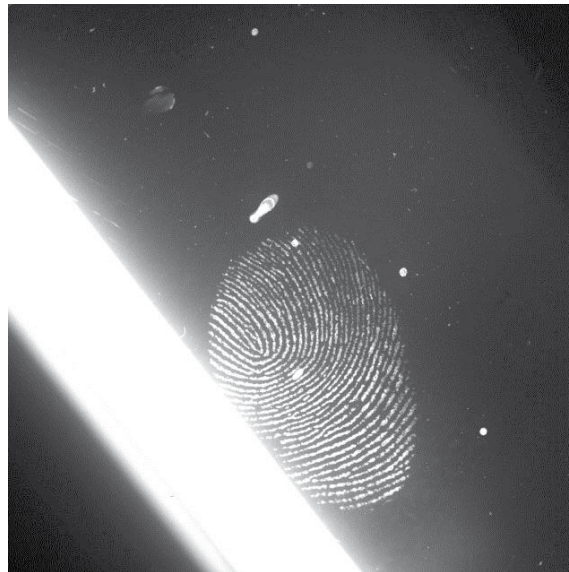
Technical specifications

| | |
|-------------------------------|---|
| Product Model | Camera: S-UV-M-R-U |
| | Module: S-UV01-M-R-U |
| Imaging Sensor | |
| Type | sCOMS |
| Size | 2 inch |
| Color Mode | Monochrome |
| Active Pixels | 4 MP |
| Image Resolution | 2048×2048 |
| Pixel Size | 11μm×11μm |
| Performance Parameters | |
| Quantum Efficiency | >80 % @220 nm 90% @420 nm |
| Readout Noise | 1.3 e ⁻ |
| Sensitivity Threshold | 2 p ⁻ |
| Full Well Capacity | 100000e ⁻ |
| Lowest Illumination | 0.0001 lux(@25ms) |
| Dynamic Range | 93dB |
| Shutter Type | Rolling Shutter |
| Exposure Control | |
| Exposure Mode | Manual, auto, trigger |
| Exposure Time | 0.02ms~10min |
| Trigger Mode | Standard, Synchronize, Global, Software Trigger |
| Image Processing | |
| Parameter Setting | ROI、Gamma, Contrast ,External trigger |
| Scan Mode | Progressive |
| A/D | 16bit |
| Cooling | N/A |
| Preview | |
| Frame Rate | 24fps@2048x2048 |
| Data Cable | 1.8 meters USB3.0 cable |
| Interface | |
| Optical Interface | M42-T mount , EF mount |
| Date Interface | USB3.0/5Gb/s |
| Power Interface | USB 3.0 ,Micro USB2.0 (optional) |
| Others | |
| Power consumption | <2 W |
| Dimensions(mm) | Camera: 60 x 60 x 64.3 |
| | Module:53 x 53x40 |
| Weight(g) | Camera: 300 |
| | Module: 72 |
| Operating temp. | -40°C~60°C |
| Storage temp. | -55°C~70°C |

Dimensions



Application Case



fingerprint detection