



Guppy PRO

F-503



- Compact 5 MP camera
- Aptina CMOS sensor
- Excellent price/performance
- 13 fps

Description

Industrial CMOS camera, 5 Megapixels

The Guppy PRO F-503B/C is an industrial CMOS camera with 5 Megapixel resolution. It is equipped with an Aptina sensor and runs 13 fps at full resolution.

Options

- Various IR cut/pass filters
- White medical housing

Specifications

Guppy PRO	F-503
Interface	IEEE 1394b - 800 Mb/s, 1 port
Resolution	2588 × 1940
Sensor	Aptina MT9P031
Sensor type	CMOS Progressive
Sensor size	Type 1/2.5
Cell size	2.2 µm
Lens mount	C-Mount
Max frame rate at full resolution	13 fps
ADC	12 bit
On-board FIFO	
	Output
Bit depth	8-12 bit
Mono modes	8/12/16
Raw modes	8/12/16

Guppy PRO

F-503

General purpose inputs/outputs (GPIOs)

TTL I/Os

Opto-isolated I/Os

1/3

RS-232

Operating conditions/dimensions

Operating temperature

+5 °C ... +45 °C

Power requirements (DC)

8 V - 36 V

Power consumption (@12 V)

<3.5 W

Mass

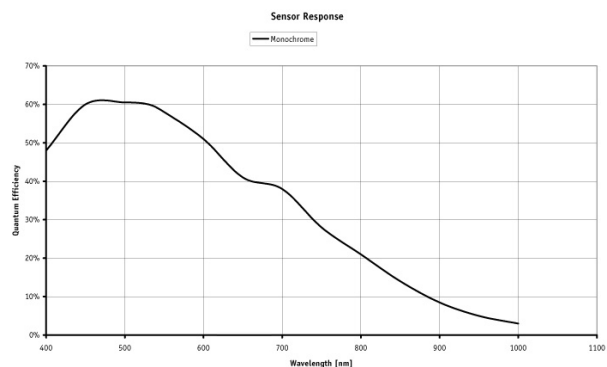
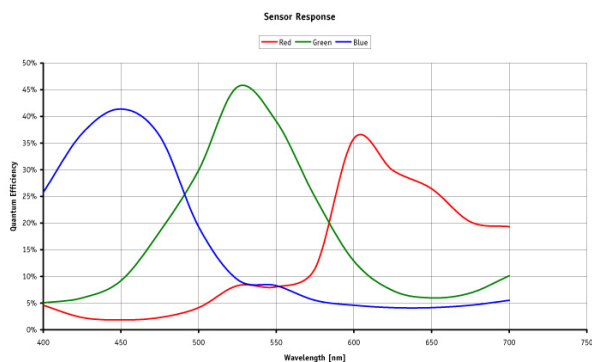
80 g

Body dimensions (L × W × H in mm)

44.8 × 29 × 29 mm incl. connectors

Regulations

CE, FCC Class B, RoHS

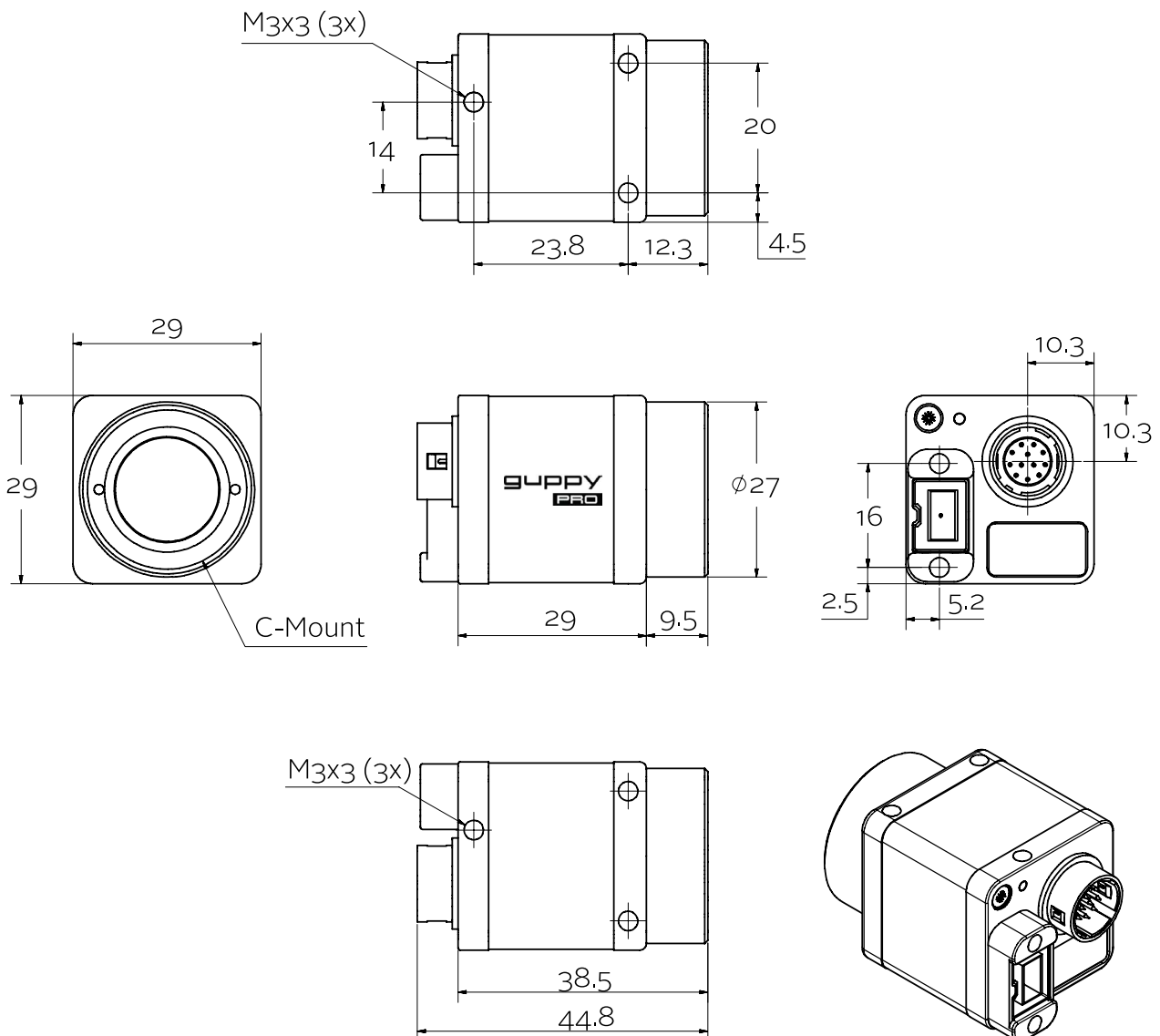


Features

- LUT (look-up table)
- Gamma
- Color correction
- Defect pixel correction
- AOI, separate AOI for auto features
- Binning (mono and color)
- Low-noise binning
- Sub-sampling
- Image mirror H+V (color version only horizontal)

- Auto gain (manual gain control: 0 to 18.06 dB)
- Auto exposure (20 μ s to 22.3 s)
- Trigger with edge mode and programmable delay
- Storable user sets

Technical drawing





Applications

Thanks to the CMOS sensor and 5 Megapixel resolution, the Guppy PRO F-503 is an industrial CMOS camera with a high performance and a very attractive price.

Applications:

- Industrial inspection with high resolution
- Robotics
- Logistics
- Pharmaceutical industry
- Multimedia
- ITS/Traffic monitoring
- ... and more