

Mako G

G-131



- Ultra-compact (60.5 × 29 × 29 mm)
- Latest e2v Sapphire CMOS sensor
- Switchable shutter modes
- 62 fps @ 1.3 Megapixel

Description

GigE camera with e2v Sapphire sensor

The Mako G-131 is an industrial GigE camera with the e2v Sapphire EV76C560 sensor. Mako cameras have the same compact form factor and the same mounting positions as many analog cameras. All models include PoE, three optocoupled outputs, and a 64 MB image buffer. The image quality profits from the precisely aligned sensors.

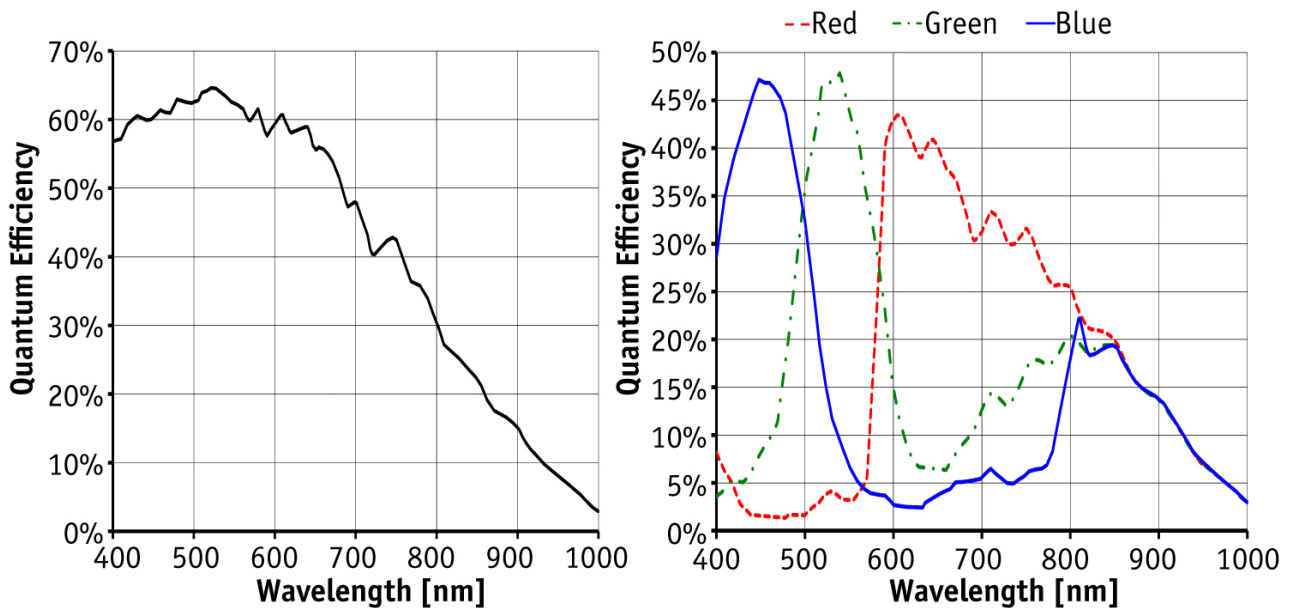
Options

- Various IR cut/pass filters, protection glass, various lens mounts
- White medical housing

Specifications

Mako G	G-131
Interface	IEEE 802.3 1000BASE-T, IEEE 802.3af (PoE)
Resolution	1280 × 1024
Sensor	e2v EV76C560
Sensor type	CMOS Progressive
Sensor size	Type 1/1.8
Cell size	5.3 μm
Lens mount	C/CS-Mount
Max frame rate at full resolution	62 fps
ADC	10 bit
On-board FIFO	64
	Output
Bit depth	8/10 bit

Mako G	G-131
Mono modes	Mono8, Mono10
Color modes YUV	YUV411Packed, YUV422Packed, YUV444Packed
Color modes RGB	RGB8Packed, BGR8Packed
Raw modes	BayerGB8, BayerGB10
General purpose inputs/outputs (GPIOs)	
TTL I/Os	
Opto-isolated I/Os	1 input, 3 outputs
Operating conditions/dimensions	
Operating temperature	+5°C to +45°C (housing temperature)
Power requirements (DC)	PoE / 12 V - 24 V
Power consumption (@12 V)	2.2 W (PoE) / 2.0 W (non-PoE)
Mass	80 g
Body dimensions (L × W × H in mm)	60.5 × 29 × 29 mm, incl. connectors
Regulations	CE, FCC Class B, RoHS



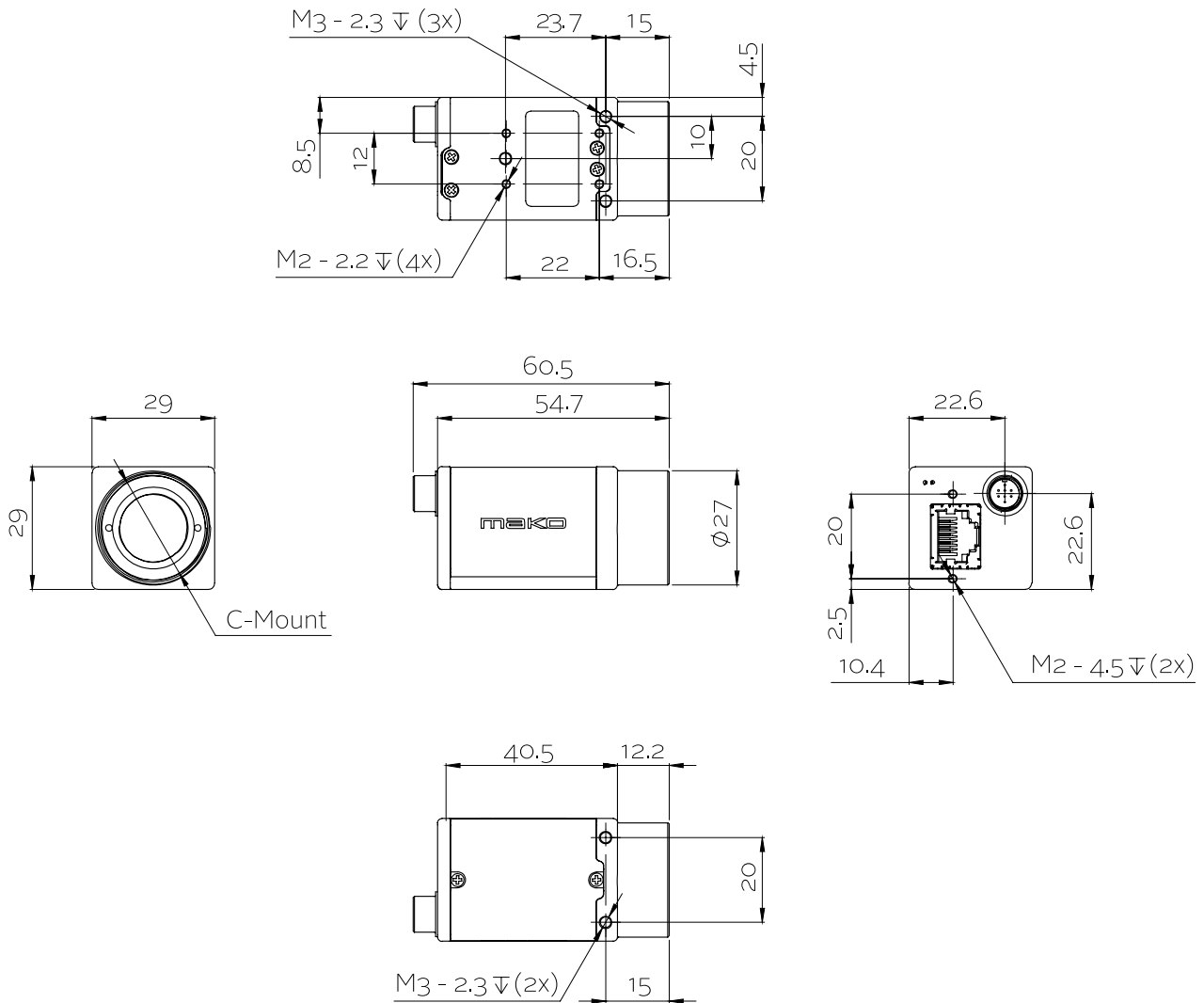
Features

- Switchable Rolling / Global / GlobalReset shutter modes
- Camera temperature monitoring
- Pixel defect masking
- ROI, separate ROI for auto features
- Binning
- Decimation



- Auto gain (manual gain control: 0 to 24 dB)
- Auto exposure
- Auto white balance
- LUTs (look-up tables)
- Gamma
- Hue, saturation, color correction
- ReverseX/Y
- StreamBytesPerSecond (easy bandwidth control)
- Stream hold
- Sync out modes: Trigger ready, input, exposing, readout, imaging, strobe, GPO
- Event channel
- Chunk data
- Storable user sets

Technical drawing





Applications

The Mako is an inexpensive industrial GigE camera with a compact form factor. It is suitable for all typical machine vision applications:

- Robotics
- Quality control
- Inspection, surveillance
- Industrial imaging
- Machine vision
- Logistics