

Mako G

G-192



- Latest e2v Sapphire CMOS sensor
- Switchable shutter modes
- PoE
- 60 fps @ 1.9 Megapixel

Description

GigE camera with e2v CMOS color sensor, 1.9 Megapixels

The Mako G-192 is an industrial GigE camera with an e2v EV76C570 sensor. Mako cameras have the same 29 x 29 mm form factor and the same mounting positions as many analog cameras. All models include PoE, two optocoupled outputs, and a 64 MB image buffer. The image quality profits from the precisely aligned sensors.

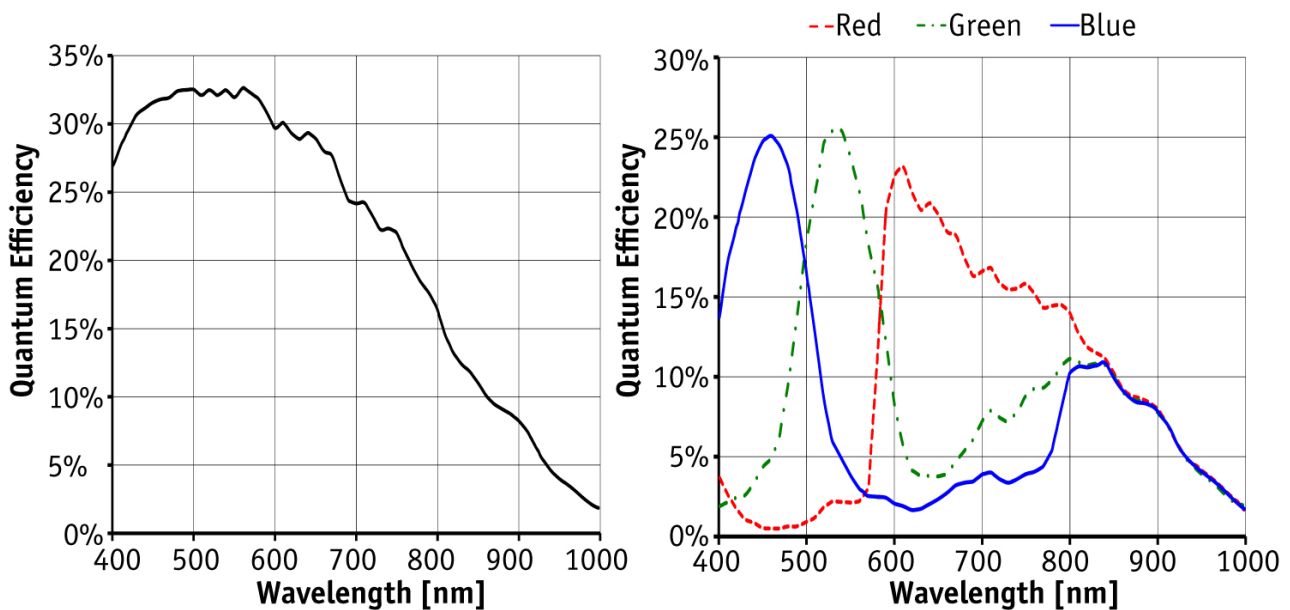
Options

- Various IR cut/pass filters, protection glass, various lens mounts
- White medical housing

Specifications

Mako G	G-192
Interface	IEEE 802.3 1000BASE-T, IEEE 802.3af (PoE)
Resolution	1600 × 1200
Sensor	e2v EV76C570
Sensor type	CMOS Progressive
Sensor size	Type 1/1.8
Cell size	4.5 μm
Lens mount	C/CS-Mount
Max frame rate at full resolution	60 fps
ADC	10 bit
On-board FIFO	64
	Output
Bit depth	8/10 bit

Mako G	G-192
Mono modes	Mono8, Mono10
Color modes YUV	YUV411Packed, YUV422Packed, YUV444Packed
Color modes RGB	RGB8Packed, BGR8Packed
Raw modes	BayerGB8, BayerGB10
General purpose inputs/outputs (GPIOs)	
TTL I/Os	
Opto-isolated I/Os	1 input, 3 outputs
Operating conditions/dimensions	
Operating temperature	+5°C to +45°C (housing temperature)
Power requirements (DC)	PoE /12 V - 24 V
Power consumption (@12 V)	2.4 W (PoE) / 2.1 W (non-PoE)
Mass	80 g
Body dimensions (L × W × H in mm)	60.5 × 29 × 29 mm, incl. connectors
Regulations	CE, FCC Class B, RoHS



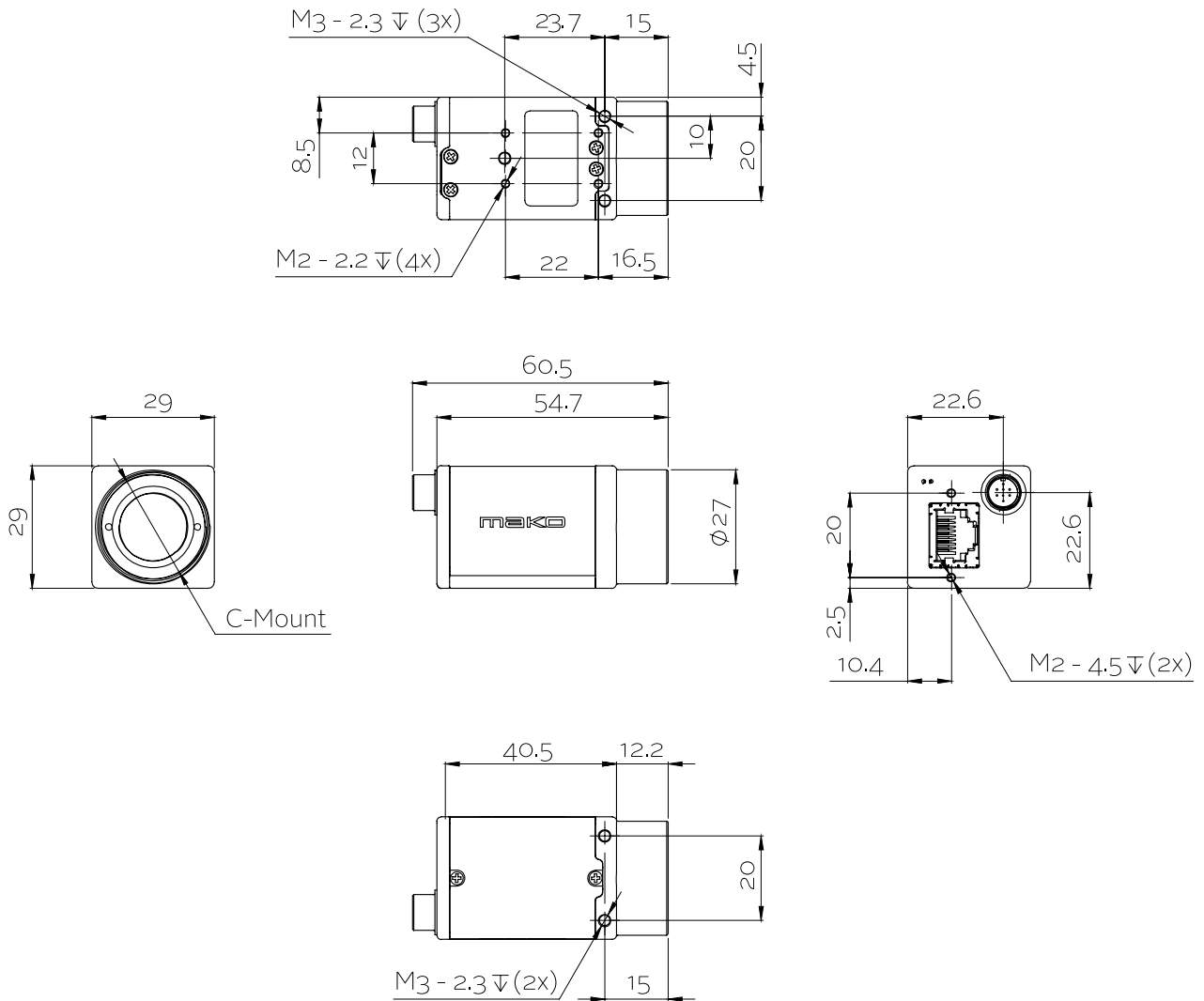
Features

- Switchable Rolling / Global / GlobalReset shutter modes
- Camera temperature monitoring
- Pixel defect masking
- ROI, separate ROI for auto features
- Binning
- Decimation



- Auto gain (manual gain control: 0 to 24 dB)
- Auto exposure
- Auto white balance
- LUTs (look-up tables)
- Gamma
- Hue, saturation, color correction
- ReverseX/Y
- StreamBytesPerSecond (easy bandwidth control)
- Stream hold
- Sync out modes: Trigger ready, input, exposing, readout, imaging, strobe, GPO
- Event channel
- Chunk data
- Storable user sets

Technical drawing





Applications

The Mako is an inexpensive industrial GigE camera with a compact form factor. It is suitable for all typical machine vision applications:

- Robotics
- Quality control
- Inspection, surveillance
- Industrial imaging
- Machine vision
- Logistics