

Manta

G-283



- Versatile 2.8 Megapixel camera
- 35 fps @ 1920 × 1080
- PoE optional
- Video-iris lens control

Description

GigE camera with Sony ICX674

Manta G-283B/C includes an 2/3" Sony ICX674 sensor with EXview HAD II technology. Sony ICX674 sensor is distinguished by reduced smear, higher quantum efficiency, and enhanced NIR sensitivity. At HD resolution (1920 x 1080), it runs 35 fps.

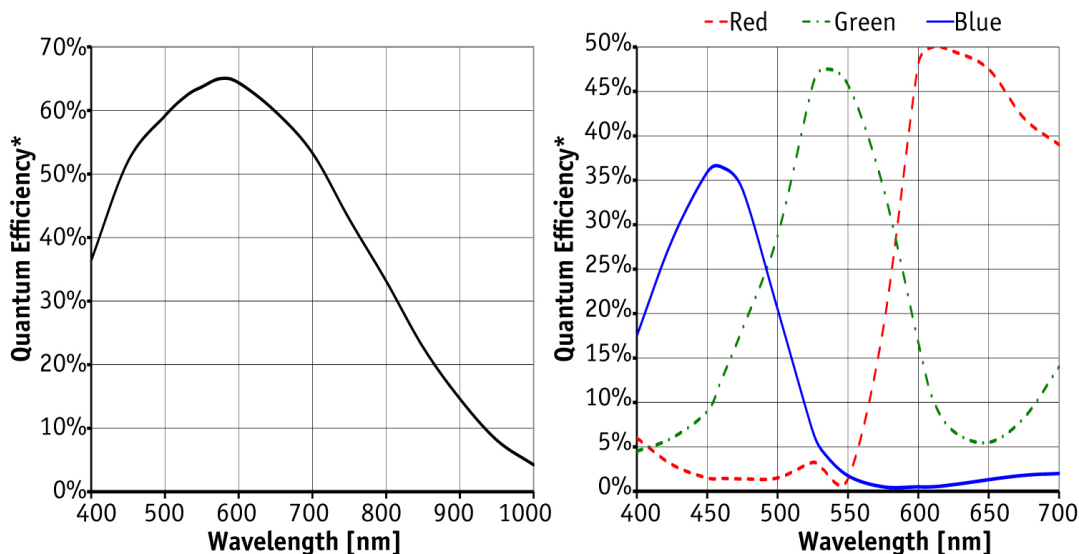
Options

- PoE (Power over Ethernet)
- Various IR cut/pass filters and lens mounts
- White medical housing

Specifications

Manta	G-283
Interface	IEEE 802.3 1000BASE-T, IEEE 802.3af (PoE) optional
Resolution	1936 × 1458
Sensor	Sony ICX674
Sensor type	CCD Progressive
Sensor size	Type 2/3
Cell size	4.54 μm
Lens mount	C-Mount
Max frame rate at full resolution	30 fps
ADC	14 bit
On-board FIFO	128
	Output
Bit depth	8/14-8/12 bit

Manta	G-283
Mono modes	Mono8, Mono12Packed, Mono12
Color modes RGB	RGB8Packed, BGR8Packed
Raw modes	BayerRG8, BayerRG12, BayerRG12Packed
General purpose inputs/outputs (GPIOs)	
TTL I/Os	
Opto-isolated I/Os	2 inputs, 2 outputs
RS-232	1
Operating conditions/dimensions	
Operating temperature	+5 °C ... +45 °C
Power requirements (DC)	8 V - 30 V
Power consumption (@12 V)	<4.3 W (PoE) / <3.7 W (non-PoE)
Mass	150 g
Body dimensions (L × W × H in mm)	86.4 × 44 × 29 mm incl. connectors
Regulations	CE, FCC Class B, RoHS



*QE measured without protection glass or filters. With glass or filters, quantum efficiency decreases by approximately 10%.

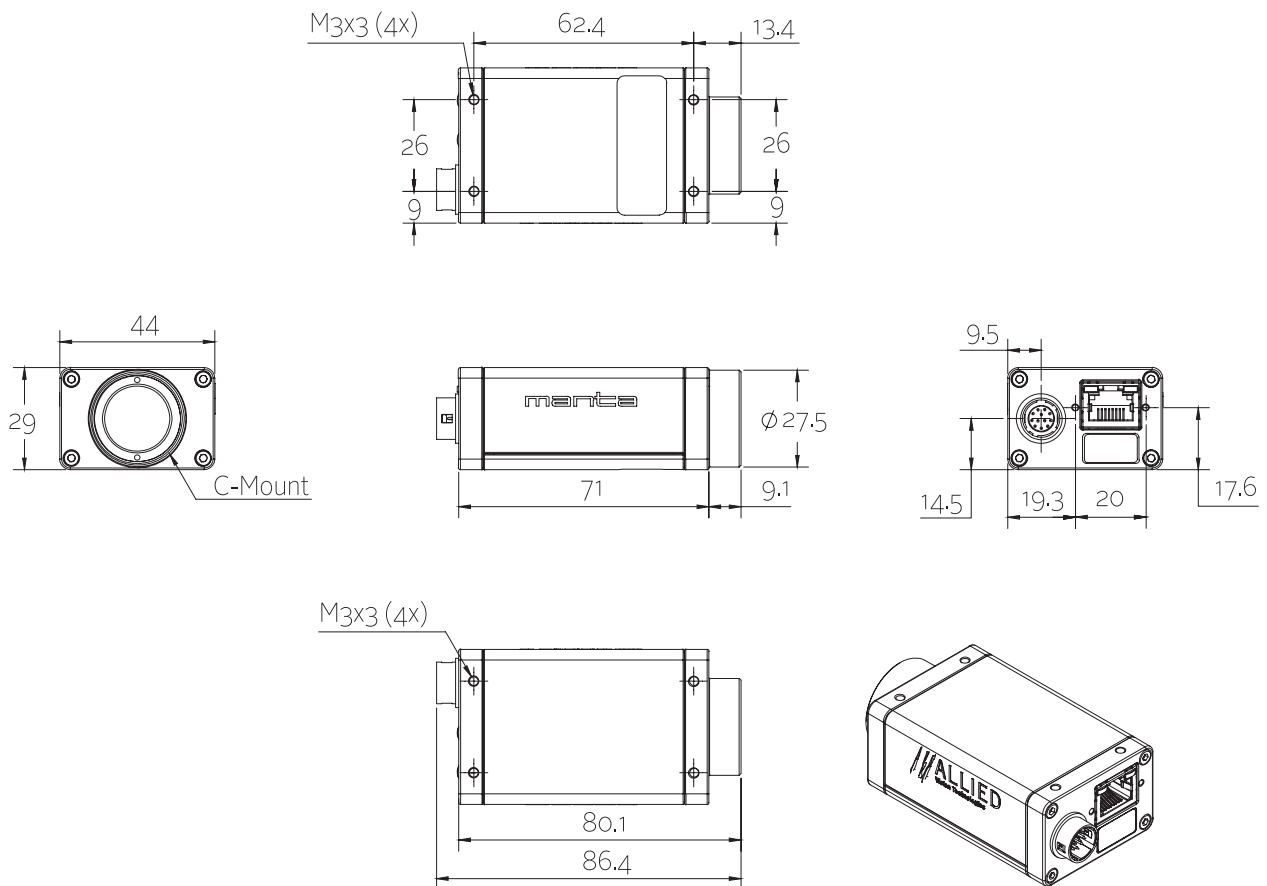
Features

- Precision Time Protocol (IEEE 1588)
- Camera temperature monitoring
- Video-type auto iris
- ROI, separate ROI for auto features
- Binning
- Decimation



- Auto gain (manual gain control: 0 to 33 dB)
- Auto exposure (41 #s to 38 s)
- Auto white balance
- LUTs (look-up tables)
- Gamma
- Hue, saturation, color correction
- StreamBytesPerSecond (easy bandwidth control)
- Stream hold
- Sync out modes: Trigger#ready, input, exposing, readout, imaging, strobe, GPO
- Event channel
- Chunk data
- Storable user sets

Technical drawing



Applications

Manta G-283 with its ICX674 sensor has an excellent image quality even under challenging light conditions.

Typical applications:

- Metrology and inspection systems
- Scientific measurement
- Microscopy
- Forensic solutions
- ITS traffic solutions
- Applications requiring a highly sensitive camera (low light conditions)
- Applications requiring good sensitivity in the NIR spectrum