

# Manta

## G-609



- Versatile 6 Megapixel camera
- 15 fps @ 6.1 Megapixel
- PoE optional
- Video-iris lens control

## Description

### GigE camera with Sony ICX694

Manta G-609B/C includes an 1" Sony ICX694 sensor with EXview HAD II technology. This sensor has an excellent sensitivity and NIR response. At full resolution, it runs 15 fps.

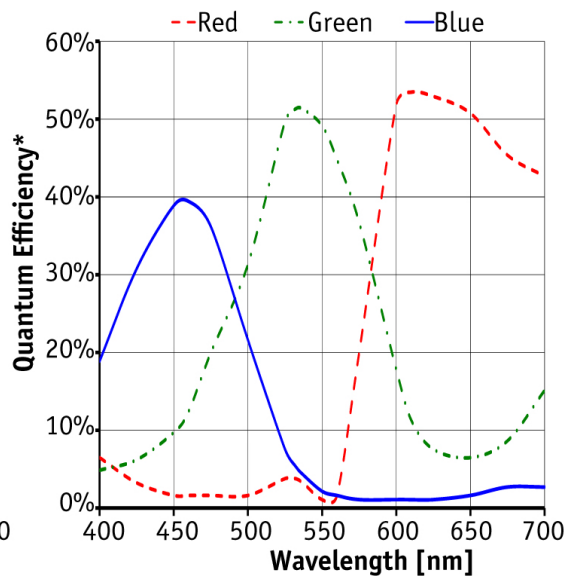
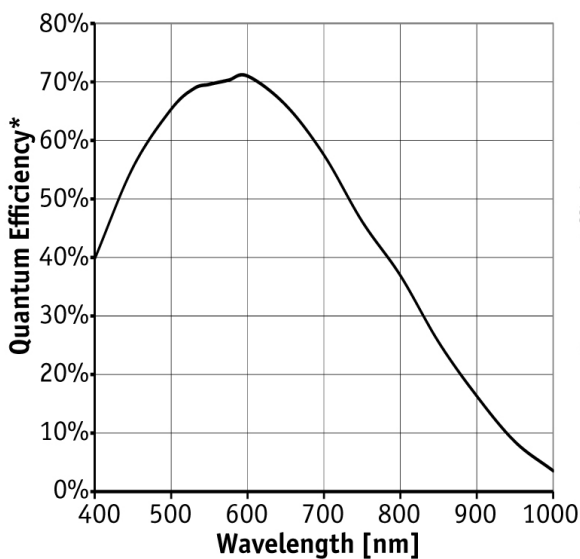
### Options

- PoE (Power over Ethernet)
- Various IR cut/pass filters and lens mounts
- White medical housing

## Specifications

| Manta                             | G-609  |
|-----------------------------------|--|
| Interface                         | IEEE 802.3 1000BASE-T, IEEE 802.3af (PoE) optional |
| Resolution                        | 2752 × 2206  |
| Sensor                            | Sony ICX694  |
| Sensor type                       | CCD Progressive                                    |
| Sensor size                       | Type 1   |
| Cell size                         | 4.54 μm  |
| Lens mount                        | C-Mount  |
| Max frame rate at full resolution | 15 fps   |
| ADC                               | 14 bit   |
| On-board FIFO                     | 128  |
|                                   | <b>Output</b>                                      |
| Bit depth                         | 8/14-8/12 bit                                      |
| Mono modes                        | Mono8, Mono12, Mono12Packed                        |

| Manta                                  | G-609                                |
|--|--------------------------------------|
| Color modes RGB                        | RGB8Packed, BGR8Packed               |
| Raw modes                              | BayerRG8, BayerRG12, BayerRG12Packed |
| General purpose inputs/outputs (GPIOs) |                                      |
| TTL I/Os                               |                                      |
| Opto-isolated I/Os                     | 2 inputs, 2 outputs                  |
| RS-232                                 | 1                                    |
| Operating conditions/dimensions        |                                      |
| Operating temperature                  | +5 °C ... +45 °C                     |
| Power requirements (DC)                | 8 V - 30 V                           |
| Power consumption (@12 V)              | 4.6 W (PoE) / 3.9 W (non-PoE)        |
| Mass                                   | 150 g                                |
| Body dimensions (L × W × H in mm)      | 86.4 × 44 × 29 mm incl. connectors   |
| Regulations                            | CE, FCC Class B, RoHS                |



\*QE measured without protection glass or filters. With glass or filters, quantum efficiency decreases by approximately 10%.

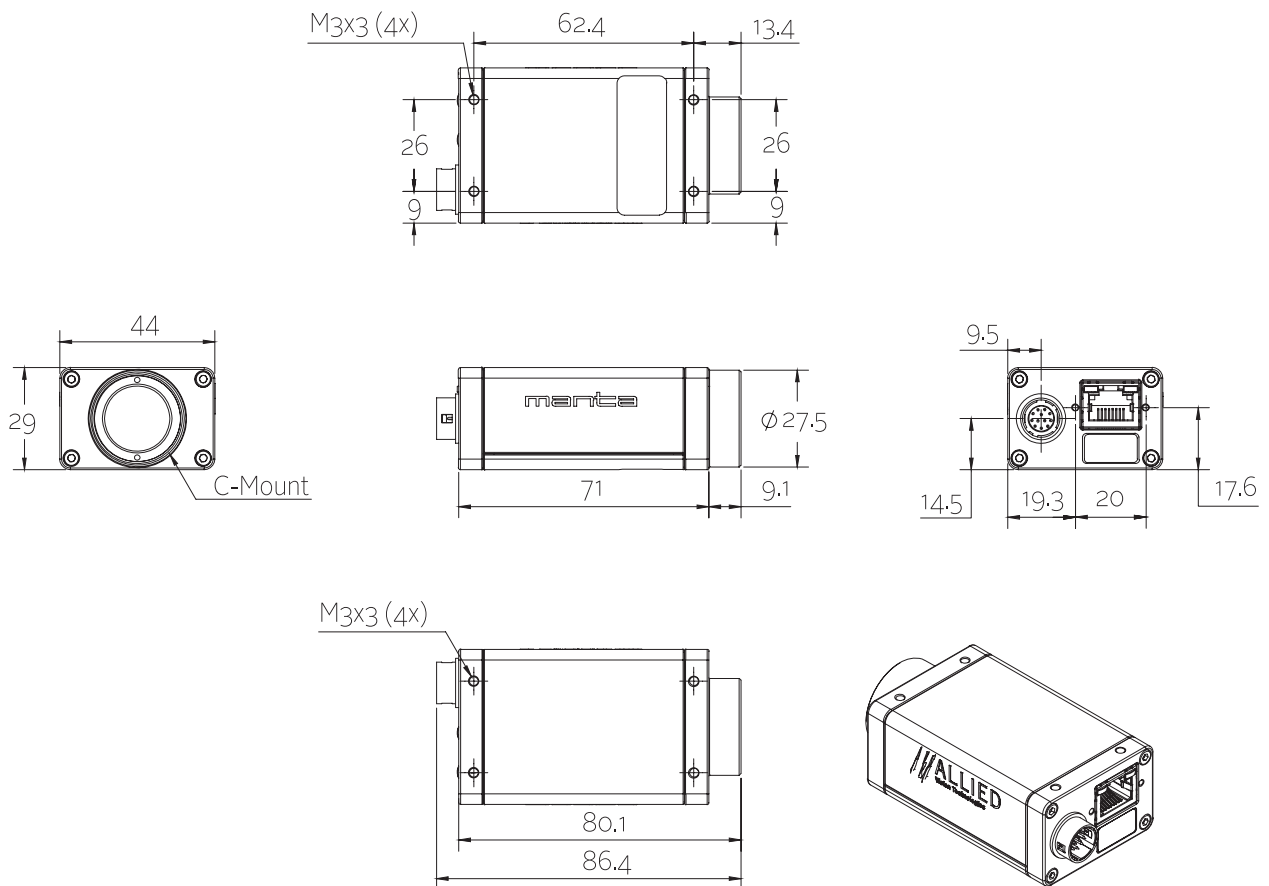
## Features

- Precision Time Protocol (IEEE 1588)
- Camera temperature monitoring
- Video-type auto iris
- ROI, separate ROI for auto features
- Binning
- Decimation
- Auto gain (manual gain control: 0 to 33 dB)



- Auto exposure (41 #s to 38 s)
- Auto white balance
- LUTs (look-up tables)
- Gamma
- Hue, saturation, color correction
- StreamBytesPerSecond (easy bandwidth control)
- Stream hold
- Sync out modes: Trigger#ready, input, exposing, readout, imaging, strobe, GPO
- Event channel
- Chunk data
- Storable user sets

## Technical drawing



## Applications

Thanks to the ICX694 sensor with its excellent response, this 6 Megapixel camera is suitable for various demanding applications:

- High-resolution surveillance
- Metrology and inspection systems
- Scientific measurement
- Microscopy
- Forensic solutions
- ITS traffic solutions
- Applications requiring a highly sensitive camera (low light conditions)
- Applications requiring good sensitivity in the NIR spectrum