

# Prosilica GT

## 1380



- Versatile temperature range for extreme environments
- PTP
- PoE
- P-Iris and DC-Iris lens control

## Description

### High sensitivity 1.4 Megapixel CCD camera for extreme environments

Prosilica GT1380 is a 1.4 Megapixel camera with a Gigabit Ethernet interface (GigE Vision#).#GT1380 incorporates the incomparable Sony ICX285 CCD sensor with EXview technology providing high-sensitivity, low noise, excellent antiblooming, and superb image quality. GT1380 is a rugged camera designed to operate in extreme environments and fluctuating lighting conditions.# GT1380 offers Precise iris lens control allowing users to fix the aperture size to optimize depth of field, exposure and gain without the need for additional control elements.#

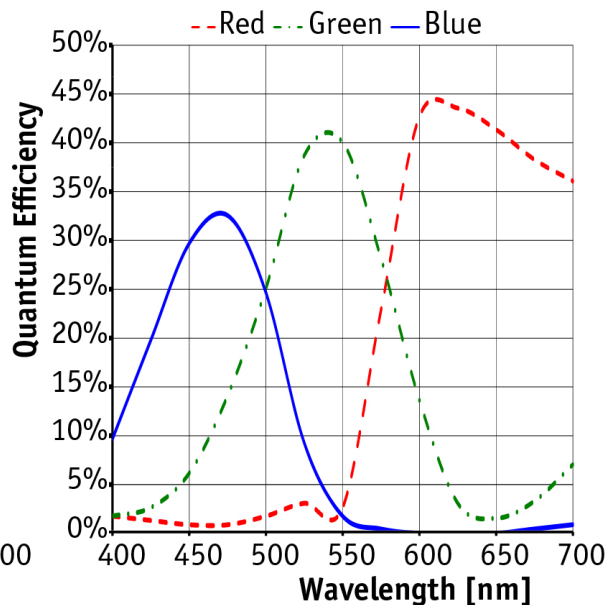
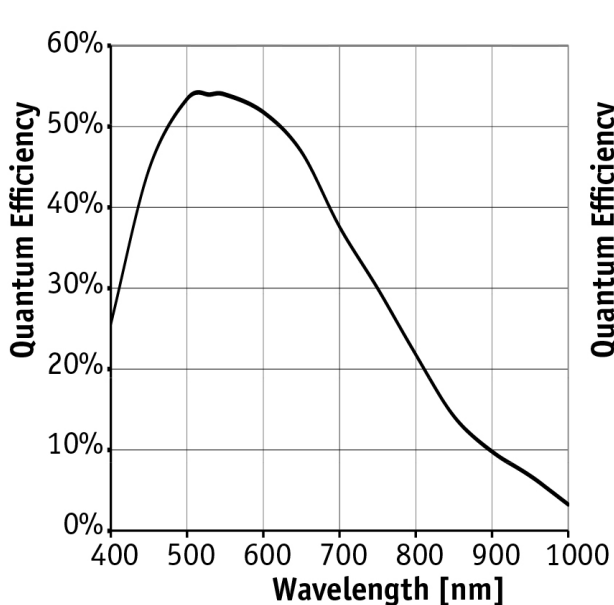
#### Options:

- Various IR cut/pass filters and lens mounts

## Specifications

Prosilica GT	1380
Interface	IEEE 802.3 1000BASE-T, IEEE 802.3af (PoE)
Resolution	1360 × 1024
Sensor	Sony ICX285
Sensor type	CCD Progressive
Sensor size	Type 2/3
Cell size	6.45 µm
Lens mount	C (adjustable)
Max frame rate at full resolution	30.5 fps
ADC	14 bit
On-board FIFO	128
	<b>Output</b>
Bit depth	14 (mono) - 12 (color) bit
Mono modes	Mono8, Mono12, Mono12Packed, Mono14

<b>Prosilica GT</b>	<b>1380</b>
Color modes RGB	RGB8Packed, BGR8Packed
Raw modes	BayerRG8, BayerRG12, BayerGR12Packed
<b>General purpose inputs/outputs (GPIOs)</b>	
TTL I/Os	1
Opto-isolated I/Os	1 input, 2 outputs
RS-232	1
<b>Operating conditions/dimensions</b>	
Operating temperature	-20°C ... +65°C
Power requirements (DC)	PoE, or 7-25 VDC
Power consumption (@12 V)	3.4 @ 12 VDC
Mass	211 g
Body dimensions (L × W × H in mm)	86 × 53.3 × 33 (including connectors, w/o tripod and lens)
Regulations	CE, FCC Class A, RoHS (2011/65/EU)



## Features

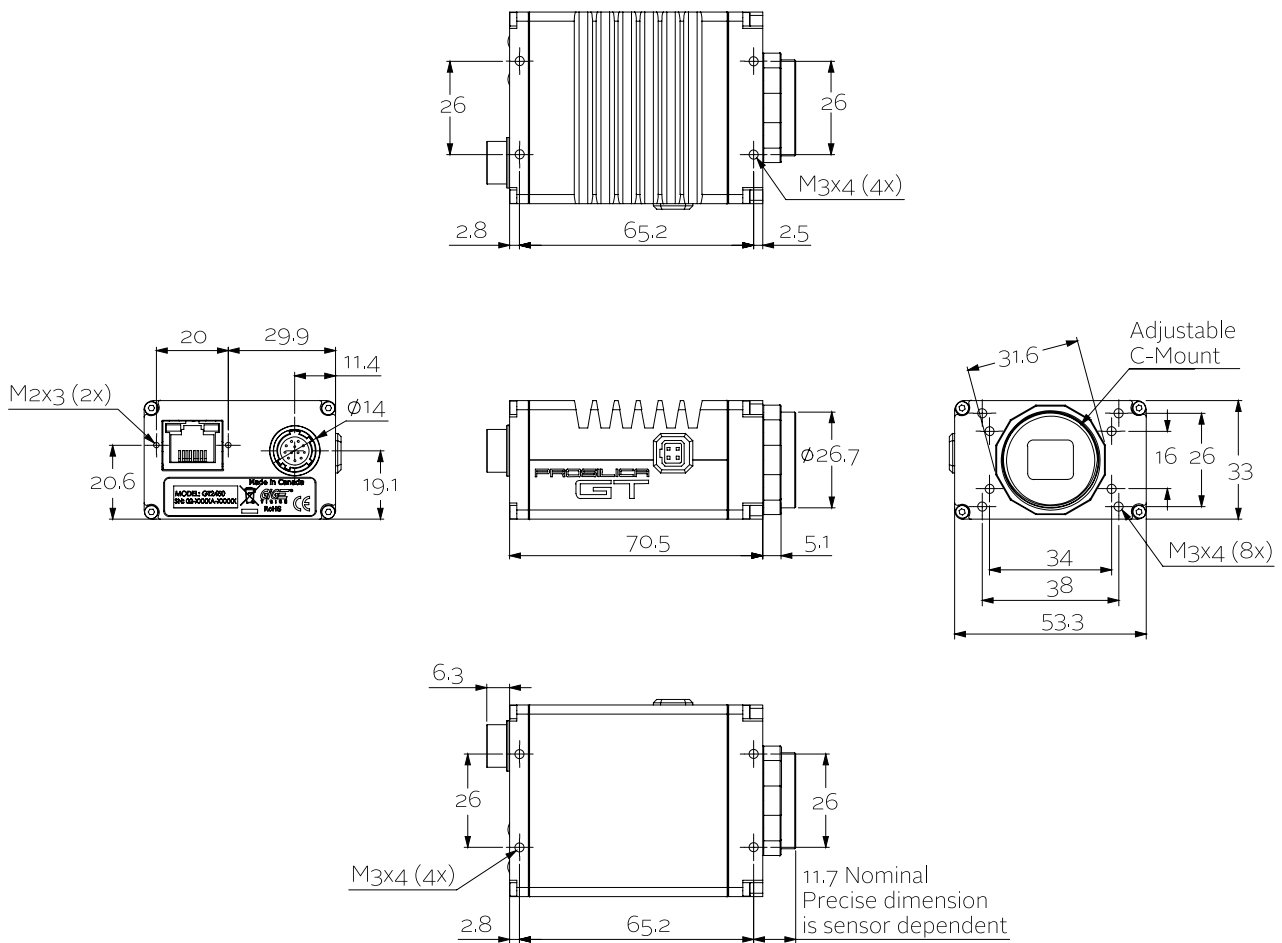
Prosilica GT1380 features include:

- Precision Time Protocol (IEEE 1588)
- Camera temperature monitoring
- Auto iris (P-Iris and DC-Iris)
- ROI, separate ROI for auto features



- Binning
- Auto gain (manual gain control: 0 to 34 dB)
- Auto exposure (manual exposure control: 10  $\mu$ s to 77.3 s)
- Auto white balance
- LUTs (look-up tables)
- Gamma
- Hue, saturation, color correction
- StreamBytesPerSecond (easy bandwidth control)
- Stream hold
- Sync out modes: Trigger ready, input, exposing, readout, imaging, strobe, GPO
- Event channel
- Chunk data
- Storable user sets

## Technical drawing



## Applications

Prosilica GT1380 is ideal for a wide range of applications including:



- Outdoor imaging
- Traffic imaging / ITS
- Public security and surveillance
- Industrial inspection
- Machine vision
- Military and space applications