

Prosilica GT

2050



- Versatile temperature range for extreme environments
- CMOSIS CMOS sensor
- PTP and PoE
- P-Iris and DC-Iris lens control

Description

4 Megapixel camera for Extreme environments - fast frame rates

Prosilica GT2050 is a 4 Megapixel camera with a Gigabit Ethernet interface (GigE Vision#). GT2050 incorporates CMOSIS CMV4000 sensor. GT2050 is a rugged camera designed to operate in extreme environments and fluctuating lighting conditions.# It offers Precise iris lens control allowing users to fix the aperture size to optimize depth of field, exposure and gain without the need for additional control elements.#

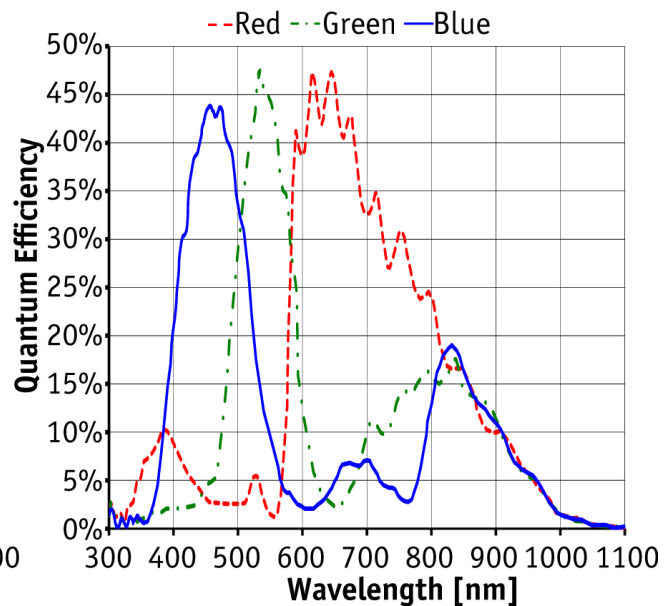
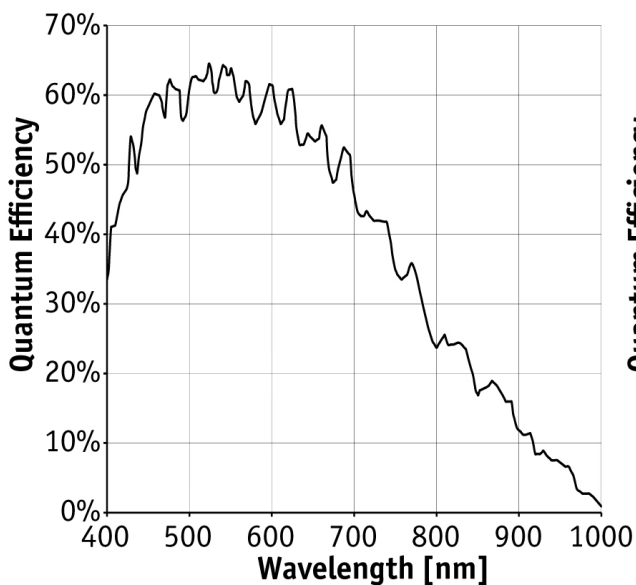
Options:

- Various IR cut/pass filters and lens mounts

Specifications

Prosilica GT	2050
Interface	IEEE 802.3 1000BASE-T, IEEE 802.3af (PoE)
Resolution	2048 × 2048
Sensor	CMOSIS CMV4000
Sensor type	CMOS Progressive
Sensor size	Type 1
Cell size	5.5 μm
Lens mount	C (adjustable)
Max frame rate at full resolution	28.6 fps
ADC	12 bit
On-board FIFO	128
	Output
Bit depth	8/12 bit
Mono modes	Mono8, Mono12, Mono12Packed

Prosilica GT	2050
Color modes RGB	RGB8Packed, BGR8Packed, RGBA8Packed, BGRA8Packed
Raw modes	BayerGB8, BayerGB12, BayerGB12Packed
General purpose inputs/outputs (GPIOs)	
TTL I/Os	1
Opto-isolated I/Os	1 input, 2 outputs
RS-232	1
Operating conditions/dimensions	
Operating temperature	-20°C ... +65°C
Power requirements (DC)	PoE, or 7-25 VDC
Power consumption (@12 V)	3.5 W @ 12 VDC
Mass	210 g
Body dimensions (L × W × H in mm)	86 × 53.3 × 33 mm including connectors, w/o tripod and lens
Regulations	CE, FCC Class A, RoHS (2011/65/EU)



Features

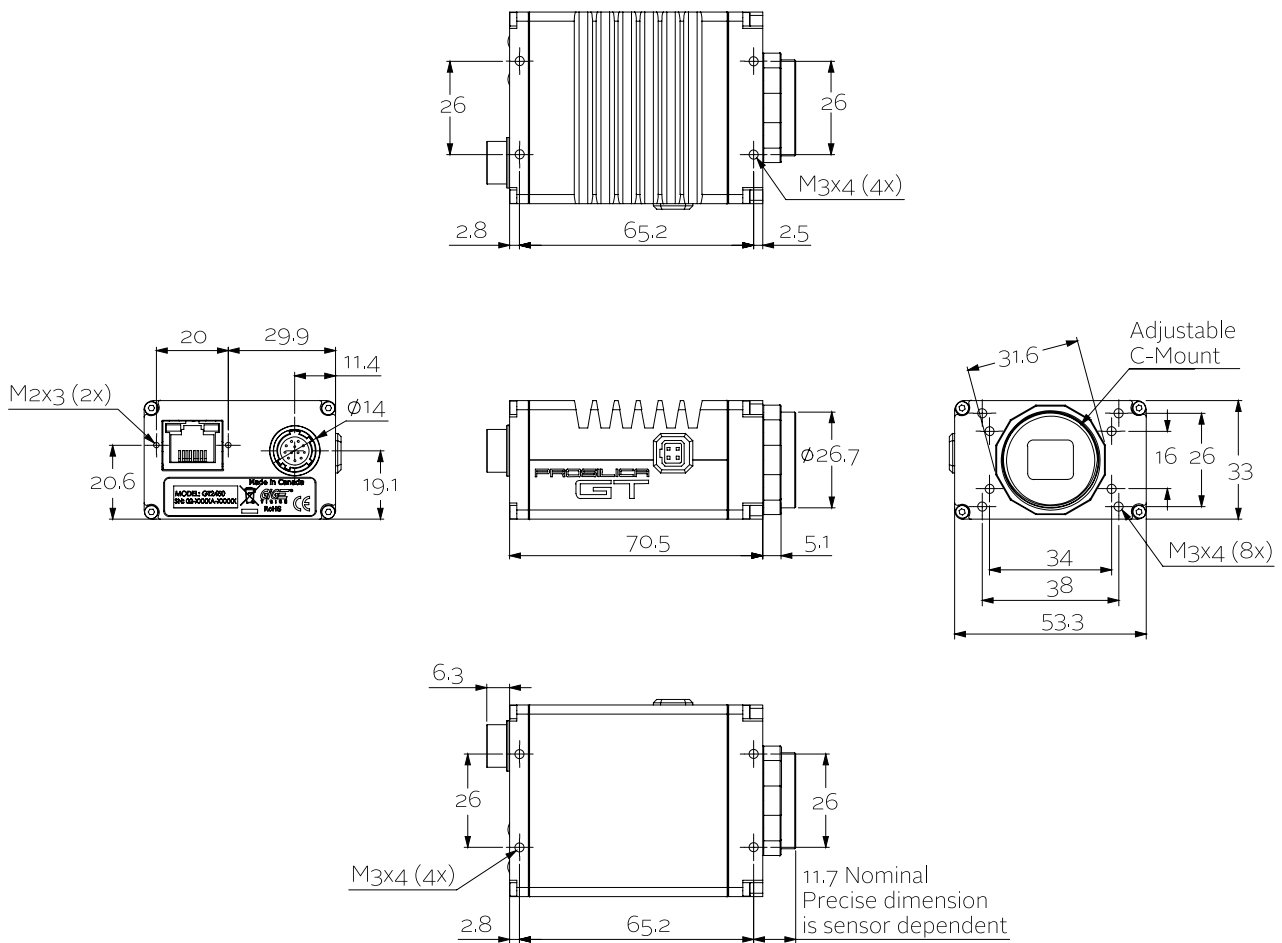
Prosilica GT2050 features include:

- Precision Time Protocol (IEEE 1588)
- Camera temperature monitoring
- Defect masking



- Auto iris (P-Iris and DC-Iris)
- ROI, separate ROI for auto features
- Auto gain (manual gain control: 0 to 26 dB)
- Auto exposure (manual exposure control: 34 μ s to 126.2 s)
- Auto white balance
- Gamma
- Hue, saturation, color correction
- StreamBytesPerSecond (easy bandwidth control)
- Stream hold
- Sync out modes: Trigger ready, input, exposing, readout, imaging, strobe, GPO
- Event channel
- Chunk data
- Storable user sets

Technical drawing



Applications

Prosilica GT2050 is ideal for a wide range of applications including:



- Outdoor imaging
- Traffic imaging / ITS
- Public security and surveillance
- Industrial inspection
- Machine vision
- Military and space applications

K-AVTO40-TI/2015 · Subject to technical change without notice. No liability is accepted for errors which may be contained in this document.