

# Prosilica GT

## 2450



- Versatile temperature range for extreme environments
- PTP
- PoE
- P-Iris and DC-Iris lens control

## Description

### 5 Megapixel CCD camera for outdoor imaging

Prosilica GT2450 is a 5 Megapixel camera with a Gigabit Ethernet interface (GigE Vision#).#GT2450 incorporates Sony ICX625 CCD sensor providing excellent monochrome and color image quality.#GT2450 is a rugged camera designed#to operate in extreme environments and fluctuating lighting conditions. It offers Precise iris lens control allowing users to fix the aperture size to optimize depth of field, exposure and gain without the need for additional control elements.

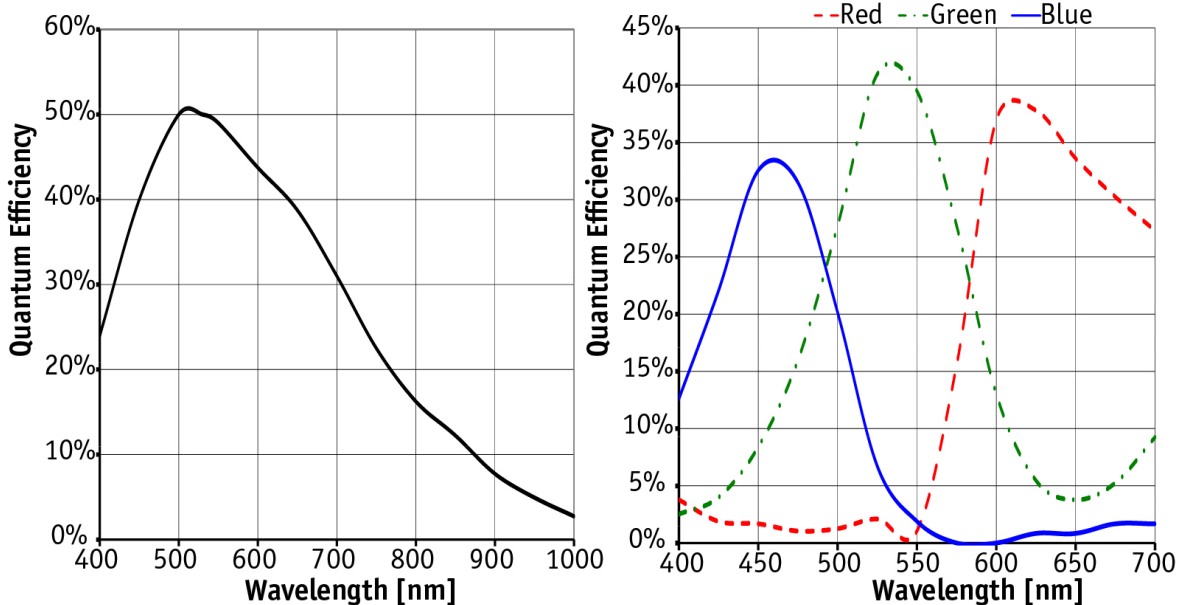
#### Options:

- Various IR cut/pass filters and lens mounts

## Specifications

Prosilica GT	2450
Interface	IEEE 802.3 1000BASE-T, IEEE 802.3af (PoE)
Resolution	2448 × 2050
Sensor	Sony ICX625
Sensor type	CCD Progressive
Sensor size	Type 2/3
Cell size	3.45 μm
Lens mount	C (adjustable)
Max frame rate at full resolution	15 fps
ADC	14 bit
On-board FIFO	128
<b>Output</b>	
Bit depth	14 (mono) - 12 (color) bit
Mono modes	Mono8, Mono12, Mono12Packed, Mono14
Color modes RGB	RGB8Packed, BGR8Packed

<b>Prosilica GT</b>	<b>2450</b>
Raw modes	BayerRG8, BayerRG12, BayerGR12Packed
<b>General purpose inputs/outputs (GPIOs)</b>	
TTL I/Os	1
Opto-isolated I/Os	1 input, 2 outputs
RS-232	1
<b>Operating conditions/dimensions</b>	
Operating temperature	-20°C ... +65°C
Power requirements (DC)	PoE, or 7-25 VDC
Power consumption (@12 V)	3.8 W @ 12 VDC
Mass	211 g
Body dimensions (L × W × H in mm)	86 × 53.3 × 33 (including connectors, w/o tripod and lens)
Regulations	CE, FCC Class A, RoHS (2011/65/EU)



## Features

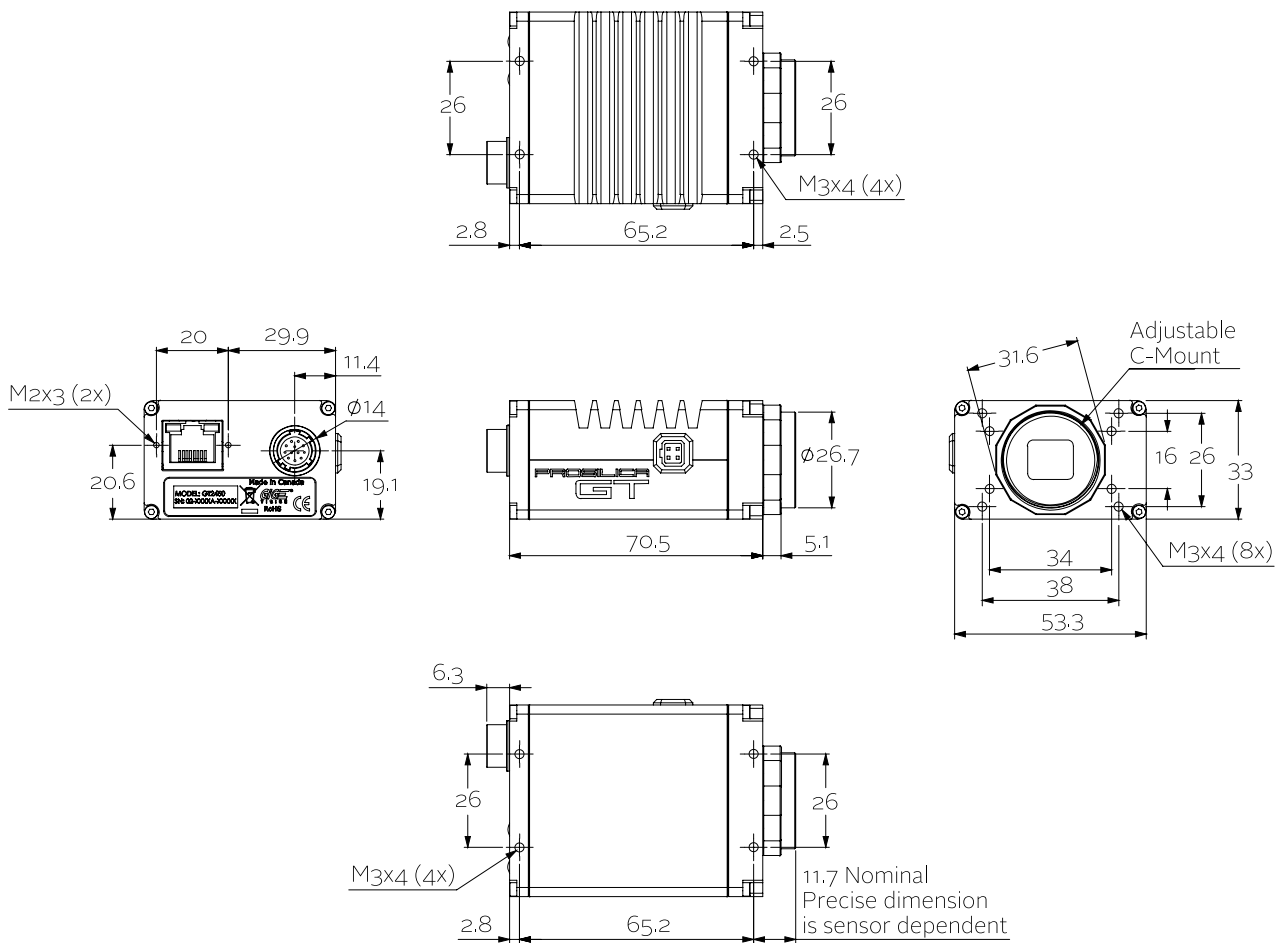
Prosilica GT2450 features include:

- Precision Time Protocol (IEEE 1588)
- Camera temperature monitoring
- Auto iris (P-Iris and DC-Iris)
- ROI, separate ROI for auto features
- Binning



- Auto gain (manual gain control: 0 to 30 dB)
- Auto exposure (manual exposure control: 25  $\mu$ s to 42.9 s)
- Auto white balance
- Gamma
- Hue, saturation, color correction
- StreamBytesPerSecond (easy bandwidth control)
- Stream hold
- Sync out modes: Trigger ready, input, exposing, readout, imaging, strobe, GPO
- Event channel
- Chunk data
- Storable user sets

## Technical drawing



## Applications

Prosilica GT2450 is ideal for a wide range of applications including:



- Outdoor imaging
- Traffic imaging / ITS
- Public security and surveillance
- Industrial inspection
- Machine vision
- Military and space applications

K-AVTO27-11/2015 - Subject to technical change without notice. No liability is accepted for errors which may be contained in this document.