

# Prosilica GT

## 6600



- Versatile temperature range for extreme environments
- PTP
- PoE
- 4 fps @ 28.8 Megapixel

## Description

### NEW: High sensitivity 29 Megapixel KAI camera for outdoor imaging

Prosilica GT6600 is a 29 Megapixel camera with a Gigabit Ethernet interface (GigE Vision). GT6600 incorporates a OnSemi KAI-29050 CCD sensor providing excellent monochrome and color image quality. GT6600 is a rugged camera designed to operate in extreme environments.

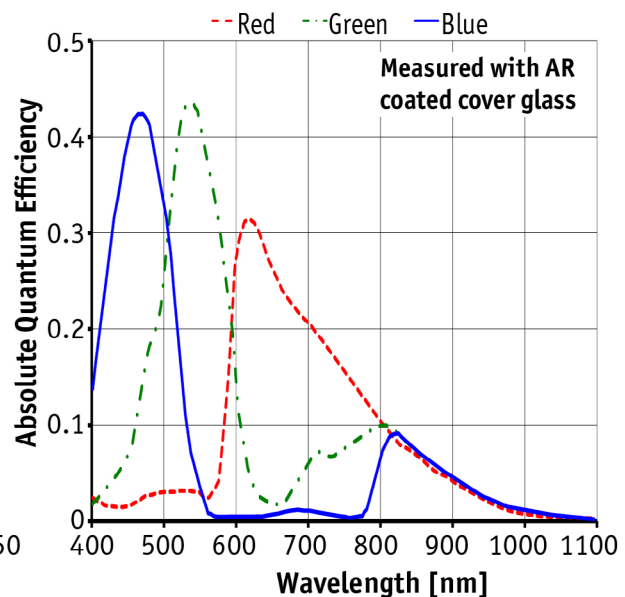
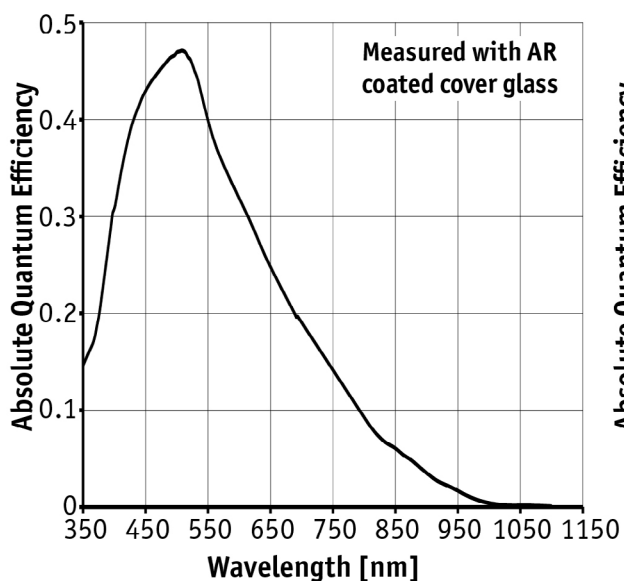
#### Options:

- Various IR cut/pass filters and lens mounts
- Class 1 sensor

## Specifications

Prosilica GT	6600
Interface	IEEE 802.3 1000BASE-T, IEEE 802.3af (PoE)
Resolution	6576 × 4384
Sensor	OnSemi KAI-29050
Sensor type	CCD Progressive
Sensor size	Type 35 mm
Cell size	5.5 μm
Lens mount	F-Mount (M58 optional)
Max frame rate at full resolution	4 fps
ADC	14 bit
On-board FIFO	128
<b>Output</b>	
Bit depth	14 (mono) - 12 (color) bit
Mono modes	Mono8, Mono12, Mono12Packed, Mono14
Color modes RGB	RGB8Packed, BGR8Packed, RGBA8Packed, BGRA8Packed

<b>Prosilica GT</b>	<b>6600</b>
Raw modes	BayerGR8, BayerGR12, BayerGR12Packed
<b>General purpose inputs/outputs (GPIOs)</b>	
TTL I/Os	1
Opto-isolated I/Os	1 input, 2 outputs
RS-232	1
<b>Operating conditions/dimensions</b>	
Operating temperature	-20°C ... +50°C
Power requirements (DC)	PoE, or 7-25 VDC
Power consumption (@12 V)	6.6 W @12 VDC
Mass	372 g
Body dimensions (L × W × H in mm)	96 × 66 × 53.3 (including connectors, w/o tripod and lens)
Regulations	CE, FCC Class A, RoHS (2011/65/EU)



## Features

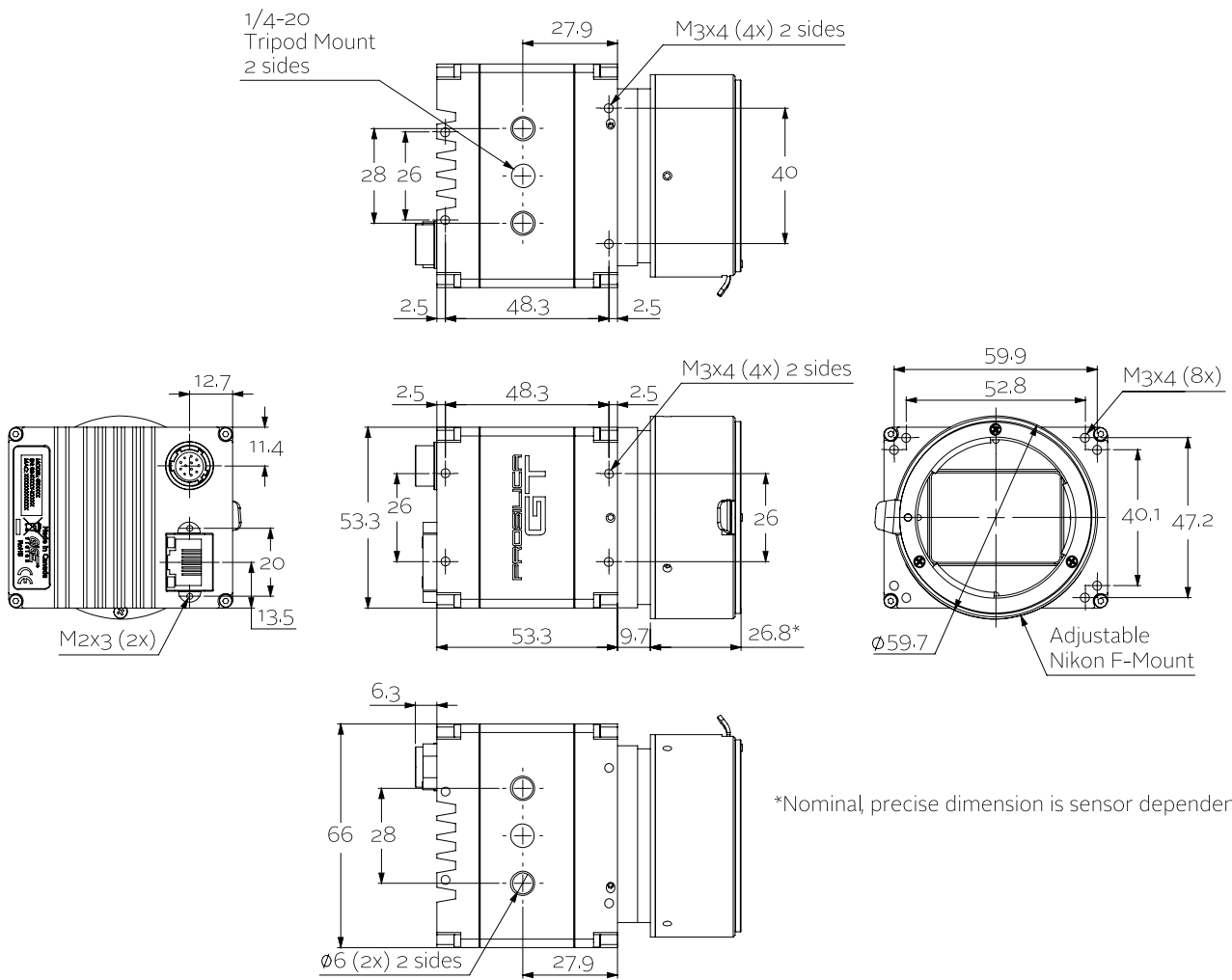
Prosilica GT6600 features include:

- Precision Time Protocol (IEEE 1588)
- Camera temperature monitoring
- Column defect masking
- ROI, separate ROI for auto features
- Binning



- Auto gain (manual gain control: 0 to 32 dB)
- Auto exposure (manual exposure control: 30  $\mu$ s to 33.5 s)
- Auto white balance
- LUTs (look-up tables)
- Gamma
- Hue, saturation, color correction
- StreamBytesPerSecond (easy bandwidth control)
- Stream hold
- Sync out modes: Trigger ready, input, exposing, readout, imaging, strobe, GPO
- Event channel
- Chunk data
- Storable user sets

## Technical drawing



## Applications

Prosilica GT6600 is ideal for a wide range of applications including:



- Outdoor imaging
- Traffic imaging / ITS
- Public security and surveillance
- Industrial inspection
- Machine vision
- Military and space applications

K-AVTO48-TI/2015 · Subject to technical change without notice. No liability is accepted for errors which may be contained in this document.