

APPLICATION NOTE

GT Large Format Lens Mount Comparison

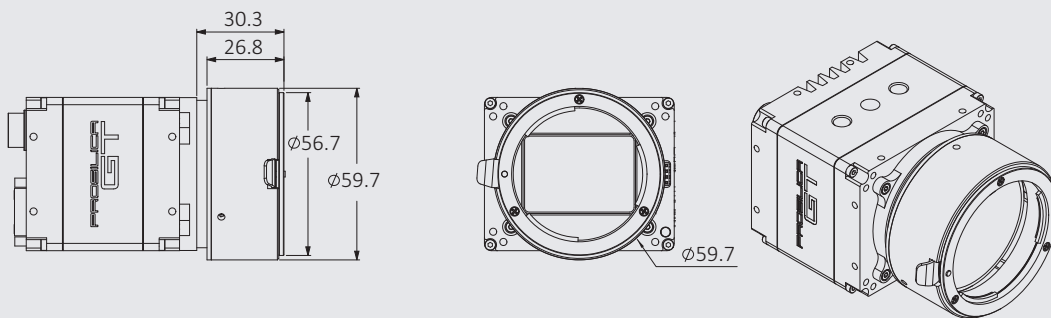
2015-Dec-21

Introduction

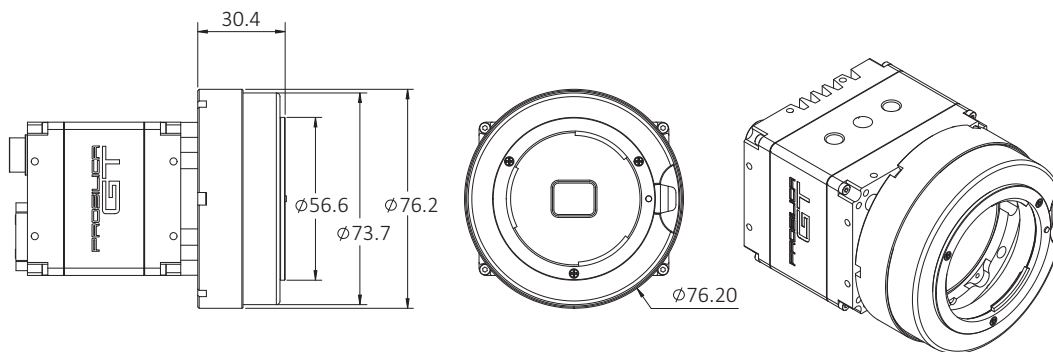
This document compares mount envelope dimensions between old and new style GT large format mounts. All dimensions are stated in millimeters (mm).

F-Mount

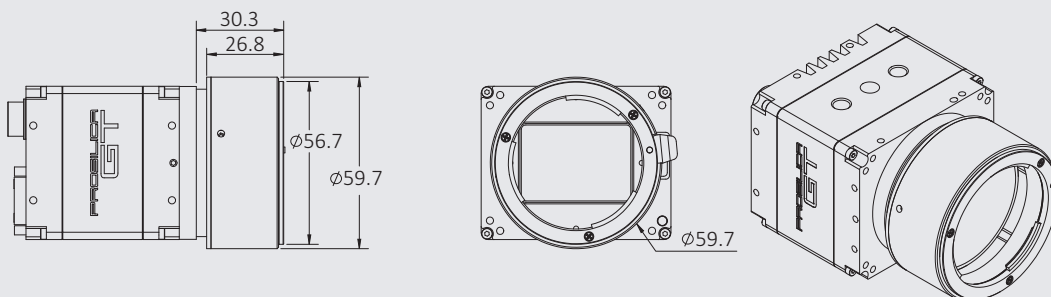
F-Mount: New // Legacy-style (with small footprint) // 02-26XXD // 46.5 mm flange focal distance



F-Mount: New // Planarity Adjustable // 02-26XXD-03 // 46.5 mm flange focal distance

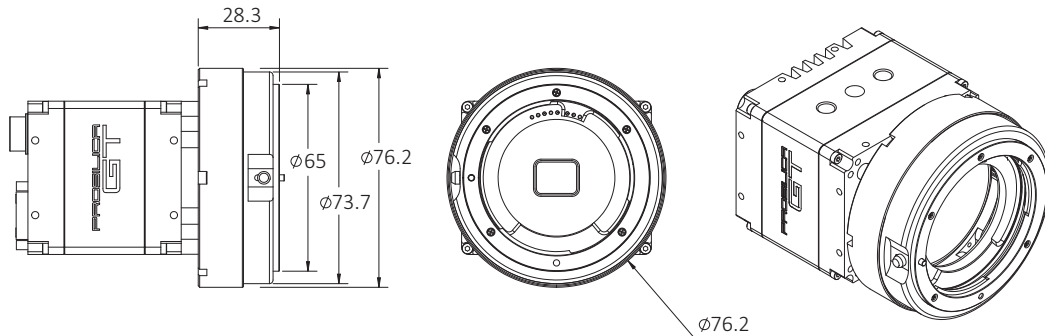


F-Mount: Discontinued // 02-26XXB // 46.5 mm flange focal distance



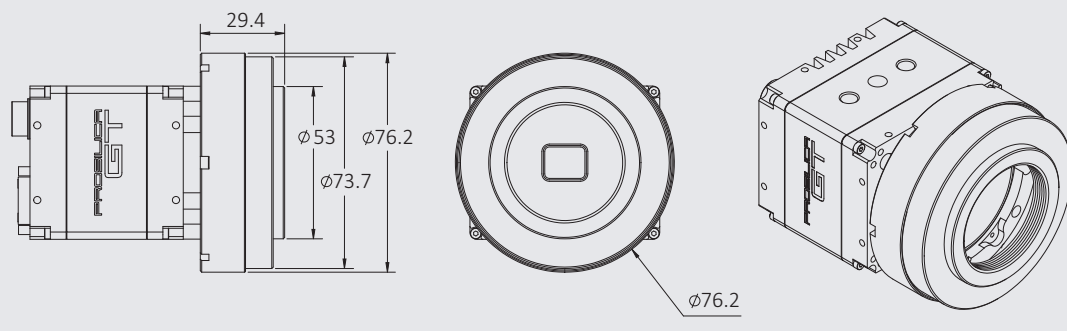
EF-Mount

EF-Mount: New // Planarity Adjustable // 02-26XXD-18 // 44 mm flange focal distance

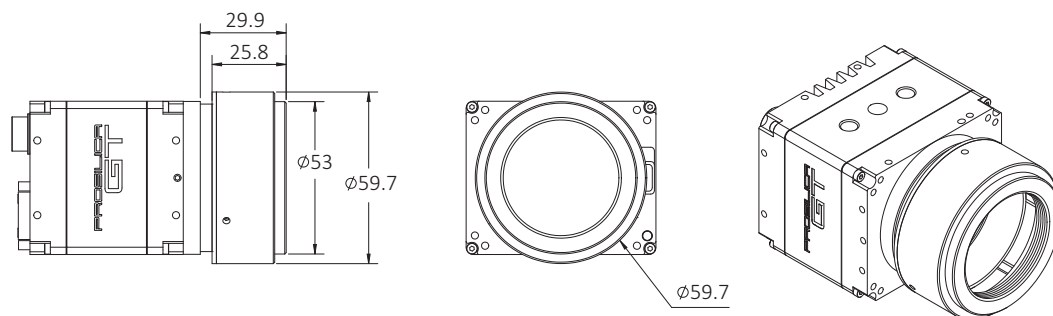


M42-Mount

M42-Mount: New // Planarity Adjustable // 02-26XXD-25 // 45.46 mm flange focal distance

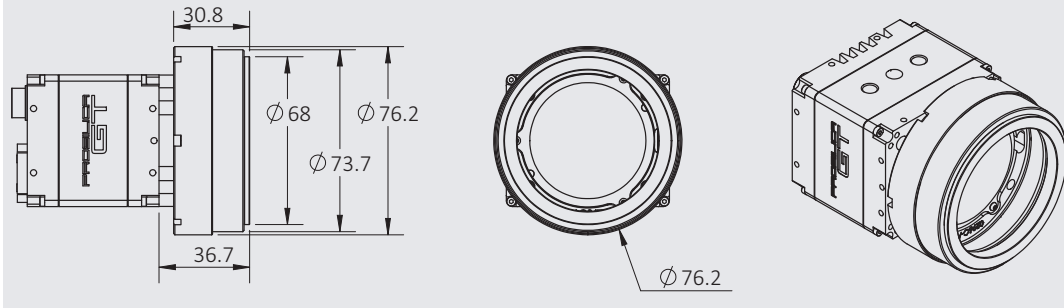


M42-Mount: Unchanged // 02-26XXD-31 (02-26XXB-31) // 45.46 mm flange focal distance

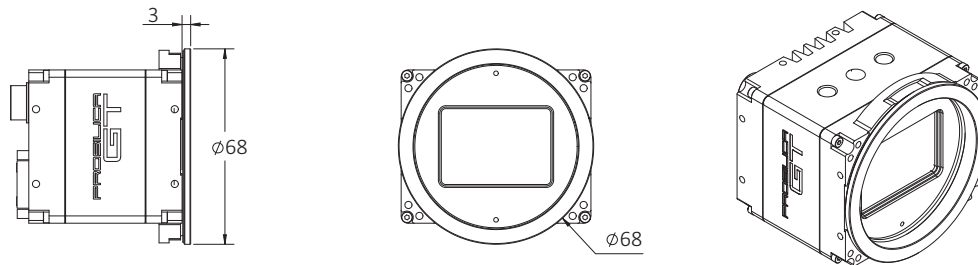


M58-Mount

M58-Mount: New // Planarity Adjustable // 02-26XXD-13 // 46.5 mm flange focal distance



M58-Mount: Unchanged // 02-26XXD-12 (02-26XXB-12) // 12.71 mm flange focal distance



For technical support, please contact support@alliedvision.com.

For comments or suggestions regarding this document, please contact info@alliedvision.com.

Disclaimer

Due to continual product development, technical specifications may be subject to change without notice. All trademarks are acknowledged as property of their respective owners. We are convinced that this information is correct. We acknowledge that it may not be comprehensive. Nevertheless, Allied Vision cannot be held responsible for any damage in equipment or subsequent loss of data or whatsoever in consequence of this document.

For the latest version of this document, please visit our website.

Copyright © 2015 Allied Vision Technologies GmbH

This document was prepared by the staff of Allied Vision Technologies Canada (“Allied Vision”) and is the property of Allied Vision, which also owns the copyright therein. All rights conferred by the law of copyright and by virtue of international copyright conventions are reserved to Allied Vision. This document must not be copied, or reproduced in any material form, either wholly or in part, and its contents and any method or technique available there from must not be disclosed to any other person whatsoever without the prior written consent of Allied Vision.