

▲ A3600M/CU60E

- 5Gbps bandwidth USB3.0 interface
- 128MB on-board frame buffer
- Support multiple image data formats
- Conform to CE, FCC, RoHS certifications
- Software trigger/Hardware trigger/Free run mode
- Conforms to USB 3.0 vision protocol and GenICam standard



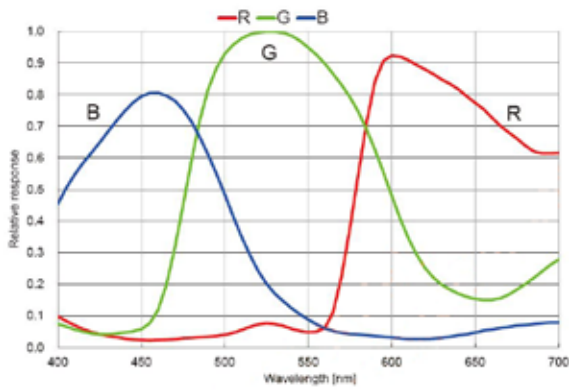
Specification

| Model | Sensor | Sensor type | Shutter | Resolution | Frame rate (fps) | Bit depth | Interface | Mono/Color | Pixel size (μ m) | Sensor size |
|------------|--------|-------------|---------|------------|--------------------|-----------|-----------|------------|--------------------|-------------|
| A3600MU60E | IMX178 | CMOS | Rolling | 3072x2048 | 60 | 10 | USB3.0 | Mono | 2.4x2.4 | 1/1.8" |
| A3600CU60E | IMX178 | CMOS | Rolling | 3072x2048 | 60 | 10 | USB3.0 | Color | 2.4x2.4 | 1/1.8" |

| Model | A3600MU60E | A3600CU60E |
|-------------------|--|--------------------|
| Effective Pixels | 6.2MP | |
| SNR | >38dB | |
| Dynamic Range | 66dB | |
| GPIO | 6 pin Hirose: 1 Opto-isolated input, 1 Opto-isolated output, 1 configurable input/output without opto isolation | |
| Image Format | Mono8/10/10Packed | BayerRG8, BayerGB8 |
| Binning | Support | |
| Gain | X1~X32 | |
| Gamma | Range from 0 to 4, support LUT | |
| Exposure Time | 8μs~1s | |
| Trigger Mode | Software trigger/Hardware trigger/Free run mode | |
| Image Buffer | 64MB | |
| User Setting | Support two sets of user-defined configurations | |
| Dimensions | 29mmx29mmx29mm(not including lens mount and rear case connector) | |
| Weight | 68g | |
| Power Supply | Power supply via USB connector /DC power supply by Hirose connector, with voltage range from 6V to 26V | |
| Power Consumption | ≈2.4W | |
| Lens Mount | C | |
| Temperature | Storage temperature:-30° C~ + 80° C; Operation temperature:-30° C~+50° C | |

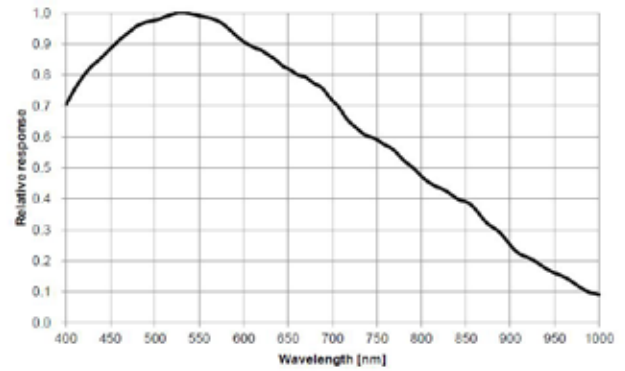
Spectrogram

A3600CU60E



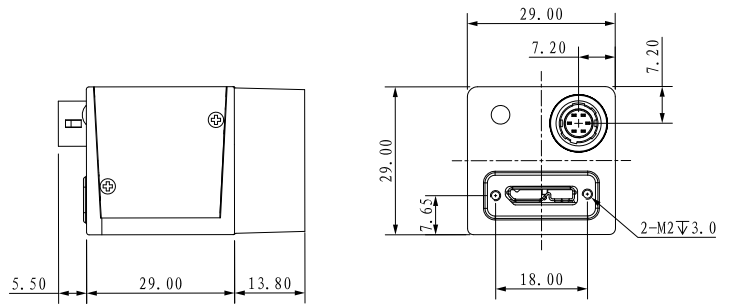
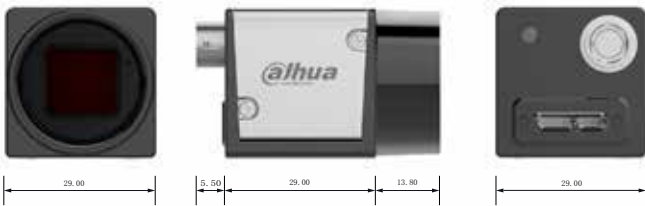
Quantum Efficiency Curve for Mono and Color Sensor

A3600MU60E

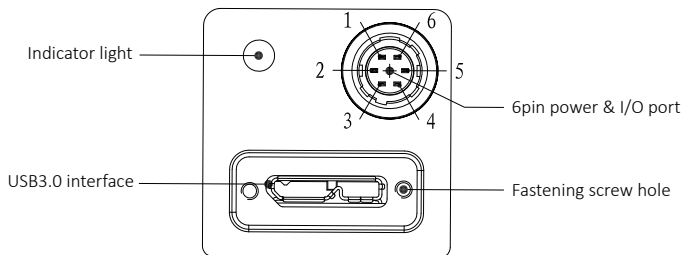


Quantum Efficiency Curve for Mono Sensor

Dimensions



IO Interface Instruction



| Pin | Signal | Description |
|-----|--------|------------------------------|
| 1 | Power | DC 6V-26V input |
| 2 | Line1 | Opto-isolated input |
| 3 | Line2 | Configurable IO input/output |
| 4 | Line0 | Opto-isolated output |
| 5 | IO GND | Opto-isolated ground |
| 6 | GND | Ground |