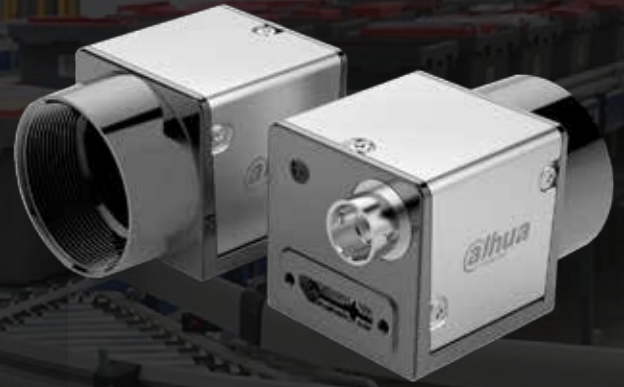


▲ A3B00M/CU000E

- 5Gbps bandwidth USB3.0 interface
- 256MB on-board frame buffer
- Support multiple image data formats
- Conform to CE, FCC, RoHS certifications
- Software trigger/Hardware trigger/Free run mode
- Conforms to USB 3.0 vision protocol and GenICam standard



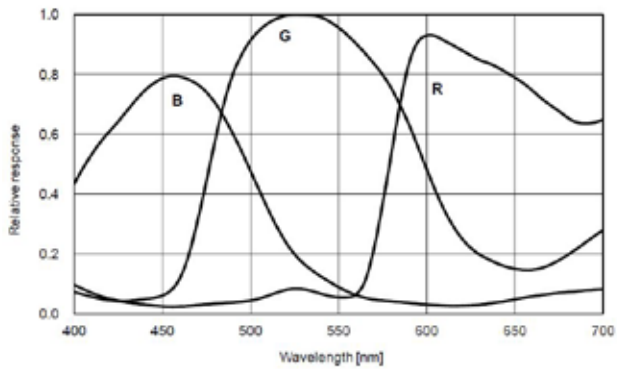
Specification

Model	Sensor	Sensor type	Shutter	Resolution	Frame rate (fps)	Bit depth	Interface	Mono/Color	Pixel size (μ m)	Sensor size
A3B00MU000E	IMX183	CMOS	Rolling	5472x3648	19.66	10	USB3.0	Mono	2.4x2.4	1"
A3B00CU000E	IMX183	CMOS	Rolling	5472x3648	19.66	10	USB3.0	Color	2.4x2.4	1"

Model	A3B00MU000E	A3B00CU000E
Effective Pixels	20MP	
SNR	>38dB	
Dynamic Range	66dB	
GPIO	6 pin Hirose: 1 Opto-isolated input, 1 Opto-isolated output, 1 configurable input/output without opto isolation	
Image Format	Mono8/10/10Packed	BayerRG8/10/10Packed,BayerGB8/10/10Packed
Binning	Support	--
Gain	X1~X32	
Gamma	Range from 0 to 4,support LUT	
Exposure Time	53μs~1s	
Trigger Mode	Software trigger/Hardware trigger/Free run mode	
Image Buffer	128MB	
User Setting	Support two sets of user-defined configurations	
Dimensions	29mmx29mmx29mm(not including lens mount and rear case connector)	
Weight	68g	
Power Supply	Power supply via USB connector /DC power supply by Hirose connector,with voltage range from 6V to 26V	
Power Consumption	≈3.2W	
Lens Mount	C	
Temperature	Storage temperature:-30° C~ + 80° C; Operation temperature:-30° C~+50° C	

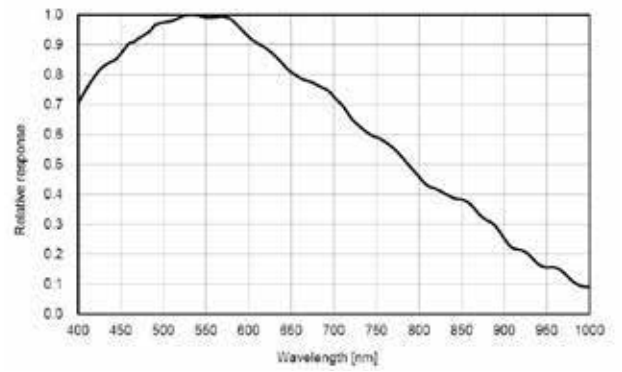
Spectrogram

A3B00CU000E



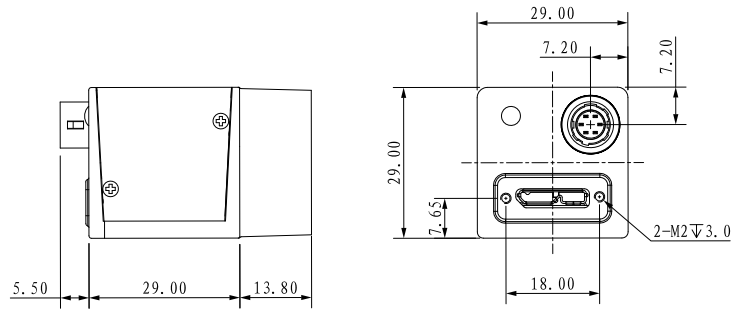
Quantum Efficiency Curve for Mono and Color Sensor

A3B00MU000E

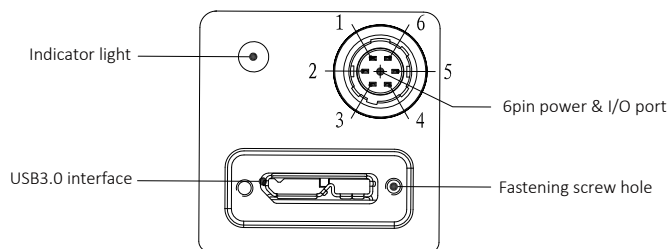


Quantum Efficiency Curve for Mono Sensor

Dimensions



IO Interface Instruction



Pin	Signal	Description
1	Power	DC 6V-26V input
2	Line1	Opto-isolated input
3	Line2	Configurable IO input/output
4	Line0	Opto-isolated output
5	IO GND	Opto-isolated ground
6	GND	Ground