

# Genie™ NanoXL-M5100

Area Scan Monochrome Cameras



## Key Features

- Uses standard PC Ethernet port & hardware
- Supports cable lengths up to 100 m (CAT-5e or CAT-6)
- Simplified set-up with field proven Sapera Essential software featuring CamExpert
- Engineered to accommodate industrial environment with a Ruggedize, screw mount, RJ-45 connector

## Programmability

- Higher frame rates achievable in partial scan mode
- Global electronic shutter with exposure Control
- Multi-Exposure Feature
- Multi-ROI Feature

## Typical Applications

- Electronics manufacturing inspection
- Industrial metrology
- Intelligent traffic systems

## Regulatory Compliance

- CE, FCC and RoHS

## Overview

# Compact GigE Vision camera with very high resolution.

The Genie NanoXL-M5100 offers both the On-Semi Python 25K Monochrome version sensor with a resolution of 5120 x 5120. Teledyne DALSA's "Burst Acquisition" and "Turbo Drive" feature allows for image capture rates of 20 fps in 25 M pixels resolution while maintaining very good image quality. The Genie NanoXL-M5100 takes advantage of gigabit Ethernet technology, transmitting data over standard CAT-5e and CAT-6 cables to distances of up to 100 m. Like all Teledyne DALSA GigE cameras, the Genie NanoXL-M5100 is based on AIA (Automated Imaging Association) GigE Vision Standard to directly link the camera to a PC.



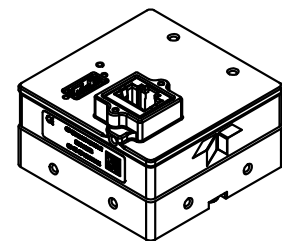
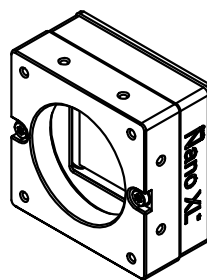
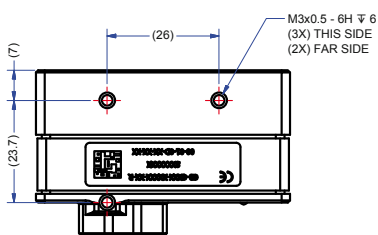
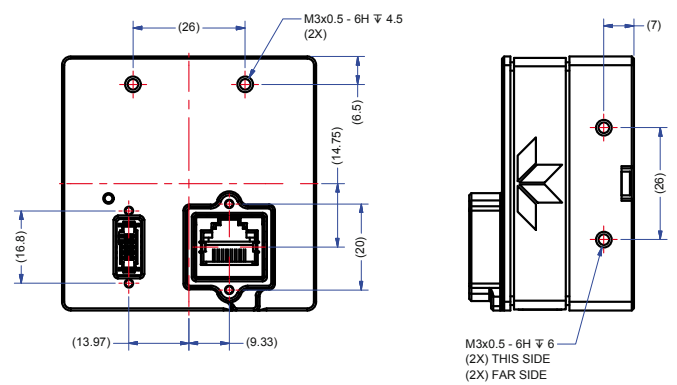
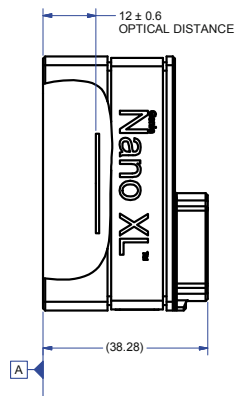
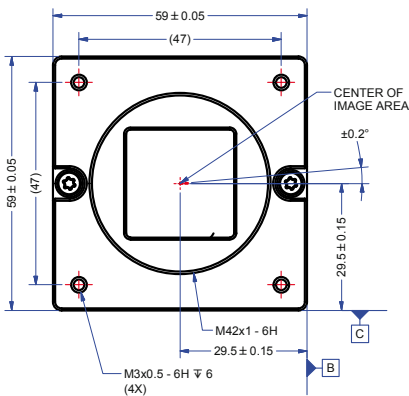
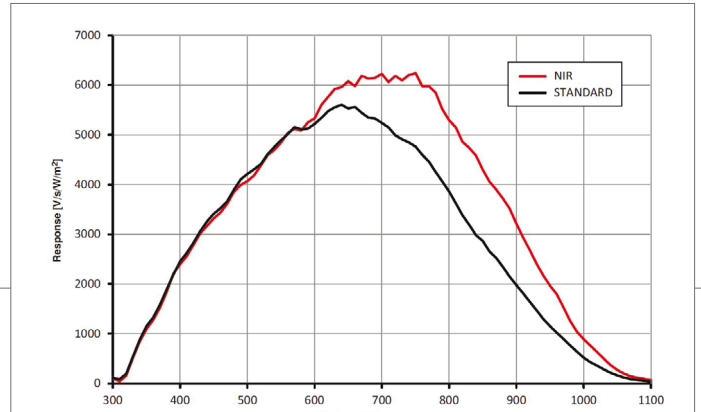
## Specifications

Active Resolution	5120 x 5120
Acquisition Frame Rate	20 fps (internal BurstMode)
Data Output Transfer	Gigabit Ethernet (1000 Mbit/s) only
Pixel Size	4.5 μm x 4.5 μm
Data Format	8 Bits output
Exposure Control	Automatic, Programmable, or via External Trigger
Dynamic Range	55.2 dB
Gain Control	Automatic, Manual up to 8x analog gain
I/O Ports	2 opto-isolated input, 3 opto-isolated output
Image Buffer	500 MB of On-board memory
Lens Mount	M42 mount
Size (L x H x W)	30 mm x 59 mm x 59 mm (without lens adapter or connectors)
Mass	~163g
Operating Temp	-20 to +60c (Housing temperature)
Power Supply	10 to 36V or Power Over Ethernet (POE)
Power Dissipation	6.5 Watt
Data Connector	Standard or Screw mount RJ-45
Power and I/O Connector	SAMTEC TFM-105 type
Camera Specification	GigE Vision v1.2 Compliant
Software Platform	Teledyne DALSA Sapera LT 8.0 or 3rd Party Genicam Compliant SDK
Part Number	G3-GM30-M5105

# Genie™ NanoXL-M5100

## Area Scan Monochrome Cameras

All Genie cameras feature value added functionality designed specifically for imaging and machine vision applications. All features are easily accessible with Teledyne DALSA's advanced software tools. These tools deliver superior image capture, performance, and control.



K-TEDA105-11/2016 · Subject to technical change without notice. No liability is accepted for errors which may be contained in this document.