

# Linea™ 8K Camera Link

Monochrome CMOS Line Scan Cameras



### Key Features

- High speed: up to 80 kHz
- 8192 pixel resolution
- Low cost and compact
- Camera Link interface

### Programmability

- GenICam or ASCII compliant interfacing
- Multiple Regions of Interest for calibration and data reduction
- 8 or 12 bit output, selectable
- Smart flat field and lens shading correction
- 8 programmable coefficient sets
- Flexible signalling and synchronization

### Typical Applications

- Automated optical inspection
- Security systems
- High performance sorting systems
- Materials grading and inspection systems
- Web inspection
- General purpose machine vision

### Regulatory Compliance

- CE, FCC and RoHS

## High Performance, Low Cost

The new Linea™ line scan cameras deliver the exceptional performance and features found in Teledyne DALSA's current lineup of high-end cameras at an unprecedented price point.

Based on the most advanced CMOS line scan technology, Linea cameras employ an 8k single line 7.04  $\mu\text{m}$  x 7.04  $\mu\text{m}$  pixel array at an 80 kHz maximum line rate. With excellent sensitivity and speed, Linea surpasses the requirements of demanding applications—such as materials grading and inspection, transportation safety, and general purpose machine vision.

Linea is a compact, light weight and robust camera with many attractive features, including flat-field correction, multiple ROI, smart triggers and programmable GPIO, multiple user configuration sets, and calibration coefficients for various lighting conditions.

GenICam™ compliant Linea is easy to set up and integrate using a GUI, such as Teledyne DALSA's Sopera™ camera configuration utility CamExpert, or an ASCII interface using three letter commands.

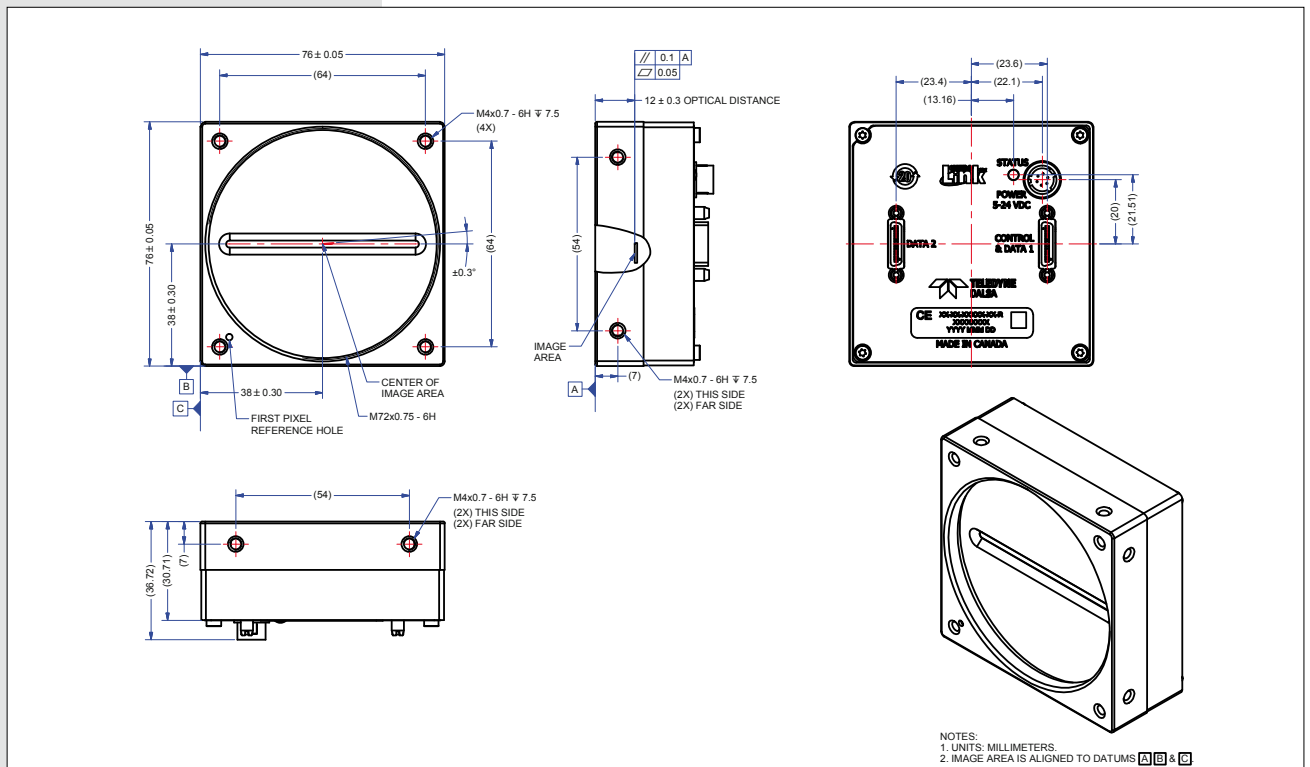
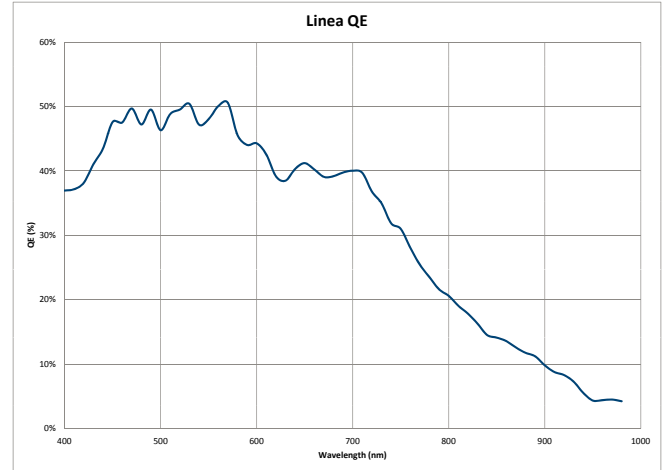
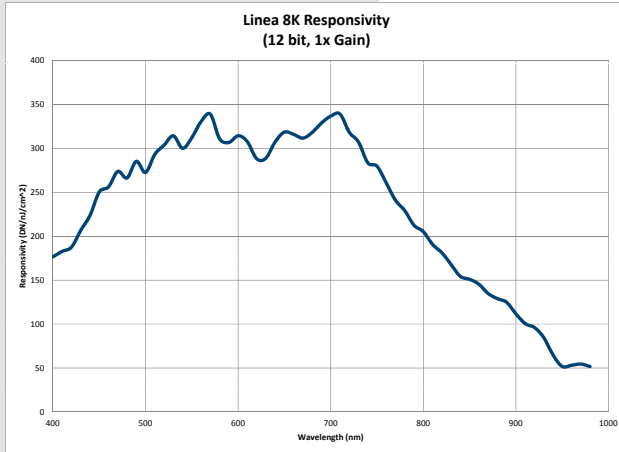
### Specifications

Resolution	8192 pixels
Line Rate	Up to 80 kHz
Pixel Size	7.04 $\mu\text{m}$ x 7.04 $\mu\text{m}$
Data Format	8 or 12 bit selectable
Output	Base, Medium, and Full Camera Link
Lens Mount	M72 x 0.75, F-mount adapter available
Responsivity	320 DN / (nJ / cm <sup>2</sup> ) in 12 bit @ 1x gain
Dynamic Range	> 60 dB
Nominal Gain Range	1x to 10x
Size	76.0 mm x 76.0 mm x 30.7 mm
Mass	< 250 g
Operating Temp	0 °C to 65 °C (front plate)
Power	Hirose 6-pin, 5 V to 24 V DC
Power Dissipation	< 8 W
Control & Data	SDR-26 mini Camera Link

Models			
Part Number	Resolution	Maximum Line Rates	Pixel Size
LA-CM-08K08A-00-R	8192	80 kHz	7.04 $\mu\text{m}$ x 7.04 $\mu\text{m}$

# Linea™ 8K Camera Link

Monochrome CMOS Line Scan Cameras



K:TEDA80-12/2014 · Subject to technical change without notice. No liability is accepted for errors which may be contained in this document.