

❖ **GO-2400-PGE**  
2.35-megapixel CMOS global shutter

**GIG**<sup>®</sup>  
VISION



- **2.35-megapixel 1/1.2" CMOS imager (global shutter)**
- **Up to 48.8 fps at full resolution**
- **5.86  $\mu$ m square pixels**
- **Small size (29 x 29 x 41.5 mm, excluding lens mount)**
- **8/10/12-bit output in choice of monochrome or raw Bayer color models**
- **Exposure control from 38  $\mu$ s to 8 seconds in 1  $\mu$ s steps**
- **2X binning for increased sensitivity (monochrome only)**
- **Single and multi-ROI modes for flexible windowing and use of smaller optics**
- **Automatic Level Control (ALC) for dynamic lighting conditions**
- **Accepts power over GigE Vision interface or separate 6-pin connector**
- **C-mount lens mount**

[www.jai.com](http://www.jai.com)



See the possibilities

# Specifications for GO-2400-PGE

# Go Series

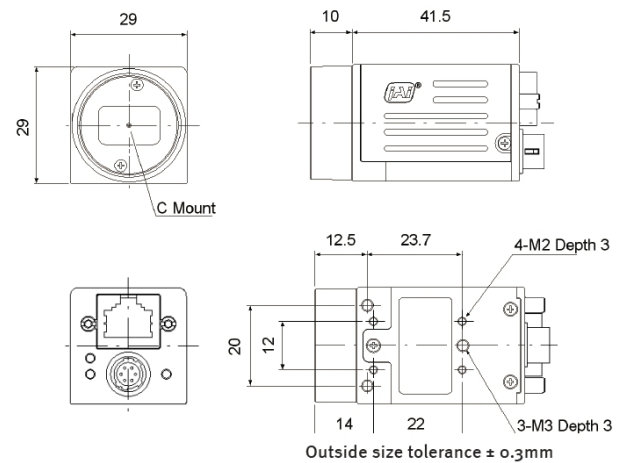
Specifications	GO-2400-PGE
Sensor	1/1.2" CMOS global shutter (IMX174)
Frame rate, full frame	48.8 frames/sec. @ 8-bit
Active area	11.3 mm (h) x 7.13 mm (v), 13.4 mm diagonal
Cell size	5.86 μm (h) x 5.86 μm (v)
Active pixels	1936 (h) x 1216 (v)
Read-out modes	Full: 1936 (h) x 1216 (v) up to 48.8 fps ROI (mono): H: 16 to 1920 pixels in 16 pixel steps V: 1 to 1215 lines in 1 line steps ROI (color): H: 16 to 1920 pixels in 16 pixel steps V: 2 to 1214 lines in 2 line steps Binning: 1x2, 2x1, 2x2 (monochrome only)
EMVA 1288 Parameters	At 10-bit output
Absolute sensitivity (mono)	6.75 p (λ = 525 nm)
Absolute sensitivity (color)	9.11 p (λ = 525 nm)
Maximum SNR (mono)	45.14 dB
Maximum SNR (color)	45.19 dB
Traditional SNR*	mono: >60 dB (0 dB gain) color: >60 dB (0 dB gain, green,)
Video signal output	mono: 8/10/12-bit monochrome color: 8/10/12-bit raw Bayer
Gain control	Manual/auto 0 dB to +24 dB
White balance (GO-2400C)	Manual, one-push auto, or continuous (3000K to 9000K)
Gamma	0.45, 0.6, 1.0 or 256-point LUT
Synchronization	Internal
Video modes	Normal, Single ROI, Multi ROI, Sequence (Trigger & Command), Delayed Readout
Trigger input	Opto In, Pulse Generator, Software, NAND Out (2), User Output (2), Action Commands (2)
Trigger modes	EPS, Trigger Width, Sequence
Electronic shutter	Timed exposure: 38 μs to 8 sec in 1 μs steps Auto shutter: 1/48 to 1/26315 sec.
Auto Level Control (ALC)	Shutter range from 1/48 to 1/26315, gain range from 0 dB to +24 dB Tracking speeds and max values adjustable.
Pre-processing functions	Blemish compensation (256 pixels), shading
Operating temperature	-5°C to +45°C
Storage temperature	-25°C to +60°C
Humidity	20 - 80% non-condensing
Vibration	10 G (20 Hz to 200 Hz XYZ)
Shock	80 G
Regulations	CE (EN61000-6-2, EN61000-6-3), FCC Part 15 class B, RoHS, WEEE
Power	6-pin connector PoE: 12V to 24V DC ± 10%. 2.64W typical @ 12V 36V to 57V DC. 3.02W typical @ 48V
Lens mount	C-mount
Dimensions (H x W x L)	29 mm x 29 mm x 41.5 mm (excl. lens mount)
Weight	46 g

## Ordering Information

GO-2400M-PGE	Monochrome camera with GigE Vision
GO-2400C-PGE	Color camera with GigE Vision

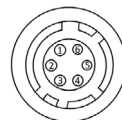
\*Traditional SNR is based on random noise in a single frame, where EMVA SNR measurements consider more comprehensive noise sources and variance over time. For a more complete description, see the manual.

## Dimensions



## Connector pin-out

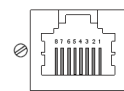
### DC In / Trigger



HIROSE HR-10A-7R-6PB(73)

Pin	Signal
1	+12V to +24V DC Input
2	Opto In 1
3	Opto Out 1
4	Opto Out 2
5	Opto Common
6	GND

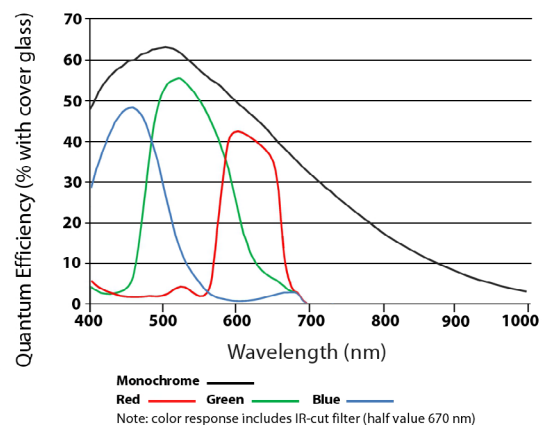
### GigE Vision Interface



RJ-45 with locking screws

Pin	Signal
1	TRD+ (0)
2	TRD- (0)
3	TRD+ (1)
4	TRD+ (2)
5	TRD- (2)
6	TRD- (1)
7	TRD+ (3)
8	TRD- (3)

## Spectral Response



K-JA1084-02/2016 · Subject to technical change without notice. No liability is accepted for errors which may be contained in this document.



See the possibilities