

❖ **GO-2401-PGE**
2.35-megapixel CMOS global shutter



- **2.35-megapixel 1/1.2" CMOS imager (global shutter)**
- **Up to 41 fps at full resolution**
- **5.86 μm square pixels**
- **Small size (29 x 29 x 41.5 mm, excluding lens mount)**
- **8/10-bit output in choice of monochrome or raw Bayer color models**
- **Exposure control from 73 μs to 8 seconds in 1 μs steps**
- **2X binning for increased sensitivity (monochrome only)**
- **Single and multi-ROI modes for flexible windowing and use of smaller optics**
- **Automatic Level Control (ALC) for dynamic lighting conditions**
- **Accepts power over GigE Vision interface or separate 6-pin connector**
- **C-mount lens mount**

www.jai.com



See the possibilities

Specifications for GO-2401-PGE

Go Series

Specifications	GO-2401-PGE
Sensor	1/1.2" CMOS global shutter (IMX249)
System clock	74.25 MHz (for pulse generator)
Frame rate, full frame	41 frames/sec. @ 8-bit
Active area	11.3 mm (h) x 7.13 mm (v), 13.4 mm diagonal
Cell size	5.86 μm (h) x 5.86 μm (v)
Active pixels	1936 (h) x 1216 (v)
Read-out modes	Full: 1936 (h) x 1216 (v) up to 32.8 fps ROI (mono): H: 16 to 1920 pixels in 16 pixel steps V: 1 to 1215 lines in 1 line steps ROI (color): H: 16 to 1920 pixels in 16 pixel steps V: 2 to 1214 lines in 2 line steps Binning: 1x2, 2x1, 2x2 (monochrome only)
EMVA 1288 Parameters	12-bit output
Absolute sensitivity (mono)	9.49 p (λ = 525 nm)
Absolute sensitivity (color)	10.60 p (λ = 525 nm)
Maximum SNR (mono)	45.21 dB
Maximum SNR (color)	45.11 dB
Traditional SNR*	mono: >60 dB (0 dB gain) color: >60 dB (0 dB gain, green,)
Video signal output	mono: 8/10/12-bit monochrome† color: 8/10/12-bit raw Bayer†
Gain control	Manual/auto 0 dB to +24 dB
White balance (GO-2400C)	Manual, one-push auto, or continuous (3000K to 9000K)
Gamma	0.45, 0.6, 1.0 or 256-point LUT
Synchronization	Internal
Video modes	Normal, Single ROI, Multi ROI, Sequence (Trigger & Command), Delayed Readout
Trigger input	Opto In, Pulse Generator, Software, NAND Out (2), User Output (2), Action Commands (2)
Trigger modes	EPS, Trigger Width, Sequence
Electronic shutter	Timed exposure: 73 μs to 8 sec in 1 μs steps Auto shutter: 1/32 to 1/13698 sec.
Auto Level Control (ALC)	Shutter range from 1/32 to 1/13698, gain range from 0 dB to +24 dB Tracking speeds and max values adjustable.
Pre-processing functions	Blemish compensation (256 pixels), shading
Operating temperature	-5°C to +45°C
Storage temperature	-25°C to +60°C
Humidity	20 - 80% non-condensing
Vibration	10 G (20 Hz to 200 Hz XYZ)
Shock	80 G
Regulations	CE (EN61000-6-2, EN61000-6-3), FCC Part 15 class B, RoHS, WEEE
Power	6-pin connector PoE: 12V to 24V DC ± 10%. 2.64 W typical @ 12V 36V to 57V DC. 3.02 W typical @ 48V
Lens mount	C-mount
Dimensions (H x W x L)	29 mm x 29 mm x 41.5 mm (excl. lens mount)
Weight	46 g

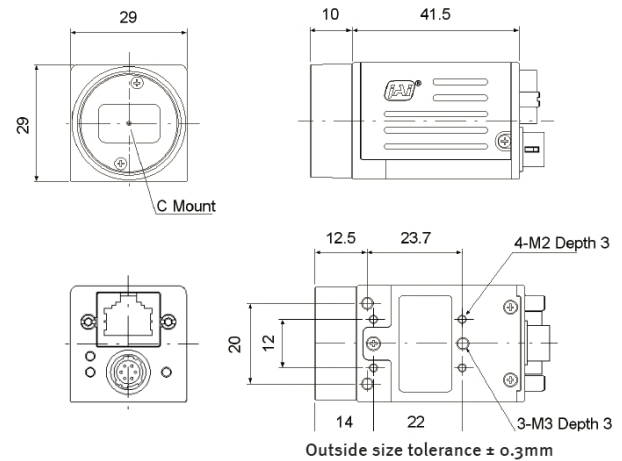
Ordering Information

GO-2401M-PGE	Monochrome camera with GigE Vision
GO-2401C-PGE	Color camera with GigE Vision

*Traditional SNR is based on random noise in a single frame, where EMVA SNR measurements consider more comprehensive noise sources and variance over time. For a more complete description, see the manual.

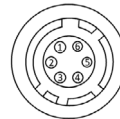
† 12-bit output available in IP bypass mode

Dimensions



Connector pin-out

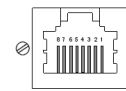
DC In / Trigger



HIROSE HR-10A-7R-6PB(73)

Pin	Signal
1	+12V to +24V DC Input
2	Opto In 1
3	Opto Out 1
4	Opto Out 2
5	Opto Common
6	GND

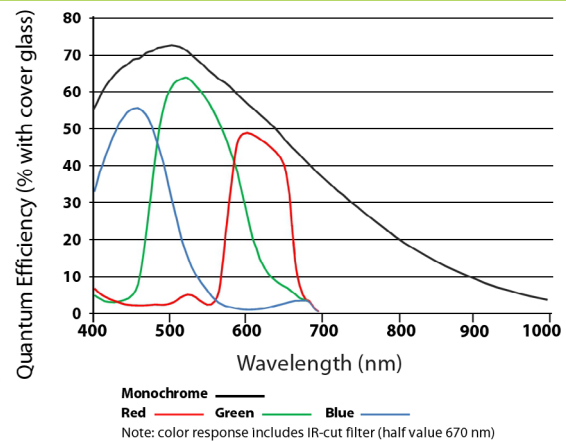
GigE Vision Interface



RJ-45 with locking screws

Pin	Signal
1	TRD+ (0)
2	TRD- (0)
3	TRD+ (1)
4	TRD+ (2)
5	TRD- (2)
6	TRD- (1)
7	TRD+ (3)
8	TRD- (3)

Spectral Response



See the possibilities

