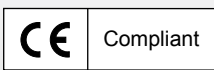


High-capacity 300 W constant voltage
Analog Control Units adjustable
in 256-step intensity settings



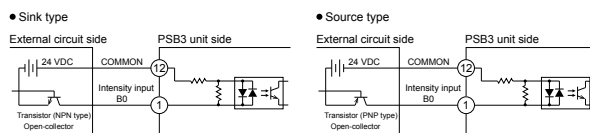
The supplied AC cord is for use with 100 to 120 VAC.
If you want to use the Control Unit with 200 to 240 VAC,
you must procure another appropriate AC power cord.

Features

- Light Unit output is compatible with 1 channel/4 connectors (metal connector x 2, EL connector x 2).
- Each single unit is equipped with parallel, serial and analog control for external control.
- You can select the optimal output according to the Light Unit and optimize the intensity setting by switching the intensity range.

Example connections

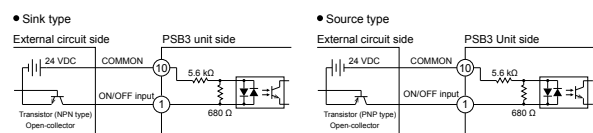
Parallel communication Example connections of external signal



Rated input voltage	Maximum input voltage	Photocoupler ON voltage/ON current	Photocoupler OFF voltage/OFF current	Response time	Input impedance
24 VDC	26.4 VDC	20 VDC min./6 mA min.	3 VDC max./1 mA max.	Approx. 100 ms	5.6 kΩ (per terminal)

	Input signal	Photocoupler	Data
Sink type	HIGH	OFF	1
	LOW	ON	0
Source type	HIGH	ON	0
	LOW	OFF	1

ON/OFF input Example connections of external signal

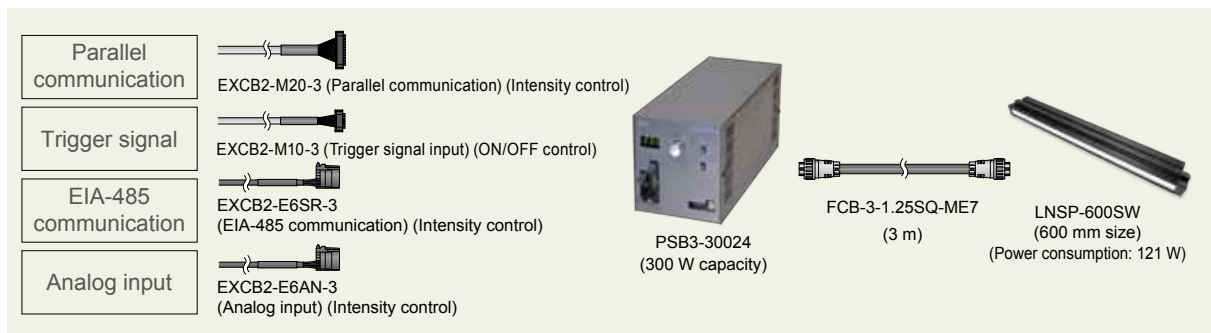


Rated input voltage	Maximum input voltage	Photocoupler ON voltage/ON current	Photocoupler OFF voltage/OFF current	Response time	Input impedance
24 VDC	26.4 VDC	20 VDC min./6 mA min.	3 VDC max./1 mA max.	Approx. 100 ms	5.6 kΩ (per terminal)

	Input signal	Photocoupler	Light Unit status
Sink type	HIGH	OFF	On
	LOW	ON	Off
Source type	HIGH	ON	Off
	LOW	OFF	On

Example system configuration

Example:
External control devices — External control cables — Control Unit — Extension cable — LED Light



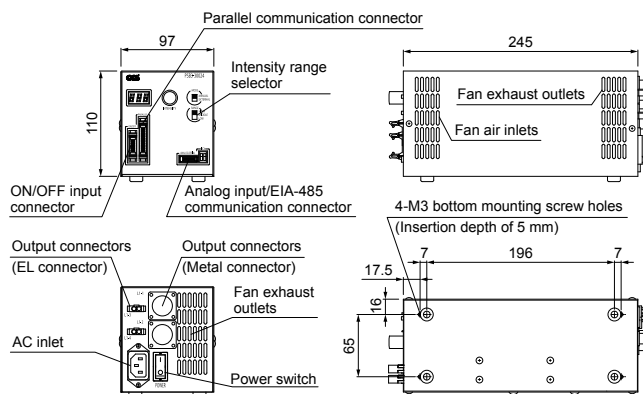
- Control Units
- PD3 series
 - PD2 series
 - STU-3000
 - PSB series
 - POD series
 - PTU2 series
 - PF-A4048-2
 - PB-2430-1
 - CC-ST-1024
 - BB series
 - PJ series
 - CC-PJ-0707
 - PSCC
 - PSB3-30024
- Options
- Lens Filters
 - Diffusion Plates
 - Polarizing Plates
 - Light Control Films
 - Brackets
 - Other
 - Extension Cables

Specifications

Model	PSB3-30024		
Lighting method	Continuous lighting		
Drive method	Constant-voltage system		
Intensity control method	Variable voltage control		
No. of channels	1 channel		
Applicable Light Unit (rated)	24 V 300 W		
Intensity control	Manual and external intensity	Manual/External switch (MODE)	
	Variable output voltage range	Select between 3 steps by using the intensity range selector (RANGE).	
	Manual	Set any of 256 steps via the setting switch. Press and hold the switch for 2 seconds to lock the intensity value.	
	External	Parallel communication	8-bit intensity value setting (B0 to B7) and write signal (WR)
	Serial communication	Command input via EIA-485 communication	
	Analog input	Analog voltage (0 V to +5 V)	
	External control mode can be selected by pushing the setting switch while turning ON the power.		
ON/OFF control	Parallel bit input	Lighting signal (OFF)	
	Serial communication	Command input via EIA-485 communication	
EIA-485 communication settings	ID	Set by using the ID switch (00 to 03) Connect up to four units	
	Terminating resistance	Set by using the ID switch (Terminating resistance is ON only when ID = 00)	
Lighting delay (typ.)	0.1 s		
Error detection display	"Err" is displayed on the digital display.		
Error detection output	Errors are output and light output is stopped for an internal AC power error.		
	External control Connector	Error output terminal (OC, OE), photocoupler insulation, open-collector output, alert open (load current of 10 mA or less), and error status (serial communication)	

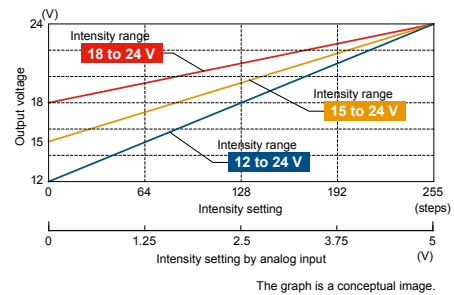
Overcurrent protection	Operates at 105% of the rated current or higher. Resets by cycling the Control Unit.
Overvoltage protection	Operates at 120% to 155% of the rated voltage. Resets by cycling the Control Unit.
Input voltage (rated)	100 to 240 VAC ($\pm 10\%$ - 15%), 50/60 Hz
Power consumption (typ.)	410 VA
Frequency	50/60 Hz
Inrush current (typ.)	40 A at cold start
Ground leakage current	3.5 mA max. (264 VAC, 60 Hz, with no load)
Output voltage variation range (typ.)	Select between 3 steps by using the intensity range selector. 12 V to 24 V *With no load 15 V to 24 V *With no load 18 V to 24 V *With no load
Operating temperature and humidity	Temperature: 0 to 40°C, Humidity: 20% to 85%RH (with no condensation)
Storage temperature and humidity	Temperature: -20 to 60°C, Humidity: 20% to 85%RH (with no condensation)
Vibration resistance	Acceleration: 19.6 m/sec ² , Frequency: 10 to 55 Hz, Cycle: 3 min., Sweep cycle: each hour in the X, Y, and Z directions
Cooling method	Forced air cooling
CE marking	Safety standard: EN61010-1 compliant, EMC standard: EN61326-1 Class A compliant
Environmental regulations	RoHS compliant
Material, coating, surface processing	Steel plate, Thickness of cover: 1.0, Thickness of chassis: 1.6, N3 leather tone finish
Weight	2,300 g max.
Accessories	3-prong AC cord with ground terminal (2 m) x 1, Instruction Guide x 1

Dimensions (mm)



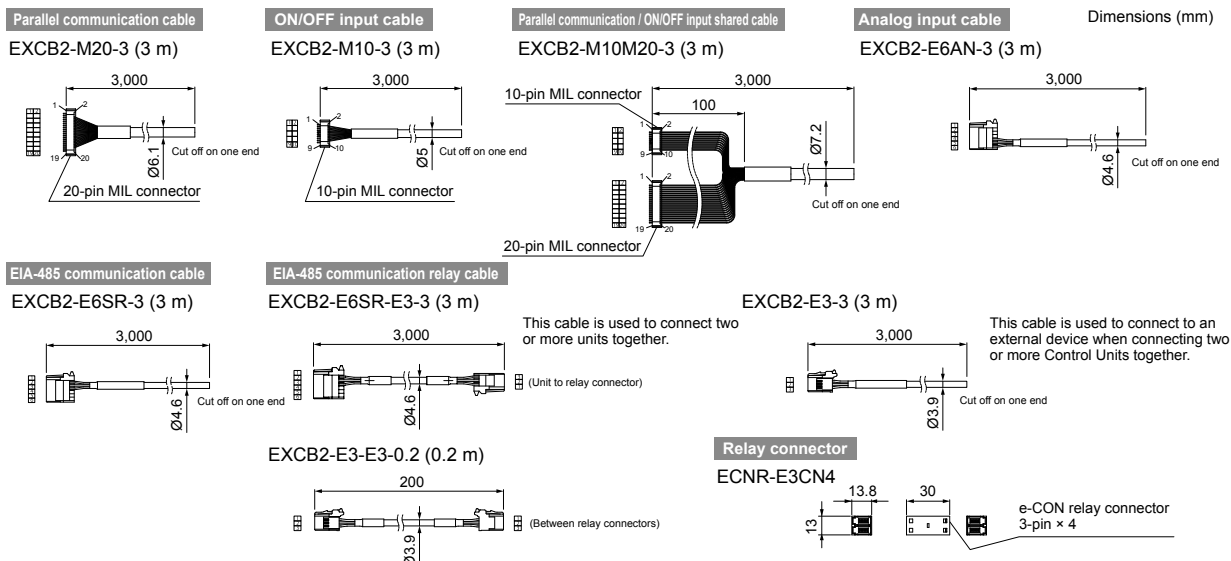
Intensity Range

Optimize your intensity setting with the intensity lower limit selection function. You can choose an intensity range to match the Light Unit.



Options

These are cables for parallel communication, EIA-485 communication, and analog input. Select yours to match your control method.



*Refer to the material "Connecting EIA-485 Communications Cables" on the CCS website for information on multi-drop wiring connections. You can download this information from the product website page.