

The most basic features for lighting control are here.
Well-selected functions for the best price.

Compact Controller
for HLV2-series CC-PJ-0707
Spotlights

Compatible Light Units: HLV2 Series

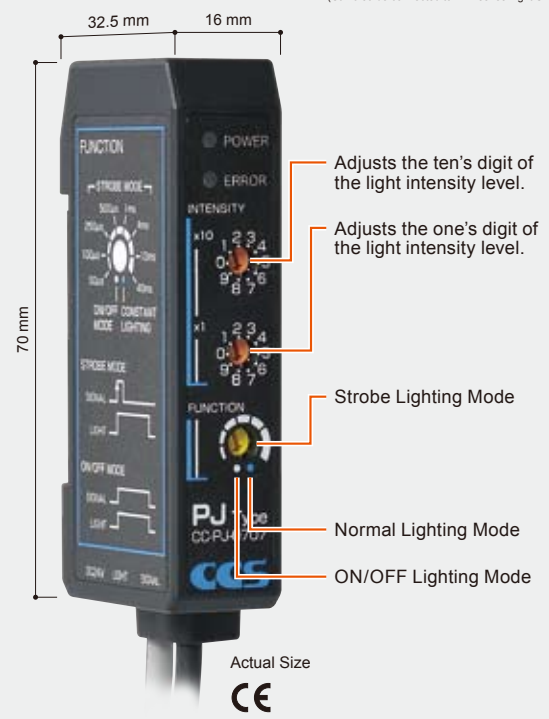
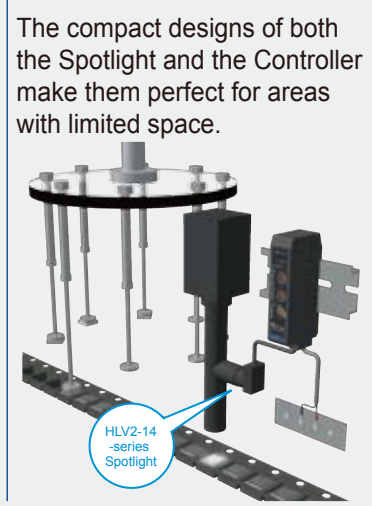


(Can also be connected to HLV-series Light Units.)

One Controller for constant lighting, ON/OFF lighting, and strobe lighting modes.

- 100 Levels of Digital Intensity Control
- Configurable Strobe Lighting Time
- Lighting Synchronized on High Signal
- Lighting Synchronized on Trigger Signal

- Constant Lighting Mode**
In this mode, the light is lit constantly. The intensity of the light can be set to any of 100 levels.
- ON/OFF Lighting Mode**
In this mode, lighting is synchronized with the high signal from the image processing device.
- Strobe Lighting Mode**
In this mode, strobe lighting is synchronized with the trigger signal from the image processing device. The lighting time can be set.



Intensity Setting

x10	0	0	...	1	...	9
x1	0	1	...	1	...	9
Intensity	1	2	...	12	...	100

Strobe Lighting Time Setting

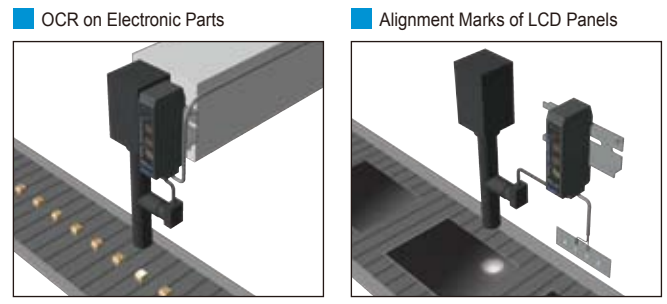
50 μs/100 μs/250 μs/500 μs/
1 ms/4 ms/10 ms/40 ms
Response time: 50 μs max.

A Compact Controller Enables a Wider Range of Spotlight Applications

The strobe lighting mode with a selectable lighting time is ideal for high-speed production lines.

* An overdrive function is not included.

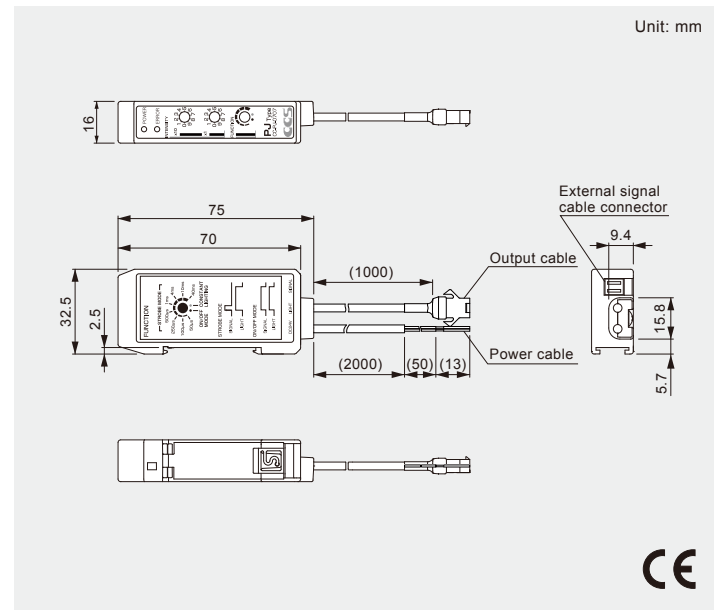
The compact design allows space-saving configurations.



Specifications

Product name	Compact Controller for HLV2/HLV-series Spotlights
Model	CC-PJ-0707
Direct number	2000756
Drive method	Constant-current system
Light intensity control method	Variable-current control method or lighting time control
Input overcurrent protection	A fuse breaks the circuit to protect the Controller from overcurrent.
Input voltage	24 VDC ± 10%
Power consumption (typ.)	7 W (3-W Spotlight at maximum light intensity)
Output voltage (maximum)	7 VDC
Output current (rating)	700 mA
Operating environment (indoors only)	Temperature: 0 to 40°C, Humidity: 20% to 85%RH (with no condensation)
Storage environment	Temperature: -20 to 60°C, Humidity: 20% to 85%RH (with no condensation)
Vibration resistance	Acceleration: 19.6 m/s ² , frequency: 10 to 55 Hz, cycle: 3 minutes, sweep cycles: 1 hour each in X, Y, and Z directions
Shock	Acceleration: 49.0 m/s ² , Application time: 30 ms, Repetitions: 3 times each in 6 directions
Cooling method	Natural air cooling
CE Marking	EMC standards: EN 6100-6-2 and EN 6100-6-4
Environmental regulations	RoHS compliant
Material	ABS
Weight	100 g
Accessories	Flat-blade screwdriver

Dimension Diagrams



* Direct Number Guide: You can easily access the information page for any of our products by entering the item's 7-digit direct number in the designated box on the CCS website (image processing page).

List of Compatible Spotlights

* Only one Spotlight can be connected to the CC-PJ-0707. * Branch cables cannot be used.

Series name	Direct number	Model	LED color	Series name	Direct number	Model	LED color
HLV2-14 Series	1004853	HLV2-14RD	Red	HLV2-22-3W Series	1004516	HLV2-22RD-3W	Red
	1004854	HLV2-14SW	White		1004517	HLV2-22SW-3W	White
	1004855	HLV2-14BL	Blue		1004518	HLV2-22BL-3W	Blue
	1004856	HLV2-14GR	Green		1004519	HLV2-22GR-3W	Green
HLV2-14-HU Series	1004857	HLV2-14RD-HU	Red		HLV2-22-1220-3W Series	1004524	HLV2-22RD-1220-3W
	1004858	HLV2-14SW-HU	White	1004525		HLV2-22SW-1220-3W	White
	1004859	HLV2-14BL-HU	Blue	1004526		HLV2-22BL-1220-3W	Blue
	1004860	HLV2-14GR-HU	Green	1004527		HLV2-22GR-1220-3W	Green
HLV2-22 Series	1004512	HLV2-22RD	Red	HLV2-22-NR-3W Series		1004520	HLV2-22RD-NR-3W
	1004513	HLV2-22SW	White		1004521	HLV2-22SW-NR-3W	White
	1004514	HLV2-22BL	Blue		1004522	HLV2-22BL-NR-3W	Blue
	1004515	HLV2-22GR	Green		1004523	HLV2-22GR-NR-3W	Green

Optional Accessories [NFCB2-CC-3]

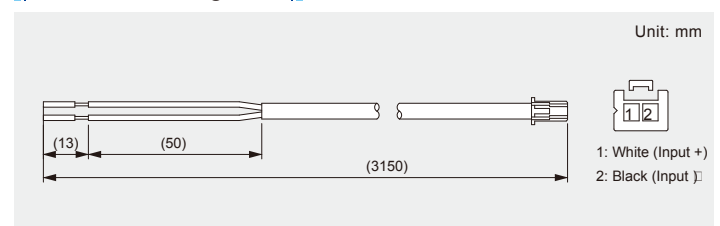
Direct number: 3000569

External Signal Cable



This is a cable for external signals. Use this cable to enable the Controller to receive high signals (for ON/OFF lighting mode) or trigger signals (for strobe lighting mode).

Dimension Diagrams



Caution

- To ensure proper and safe use of the product, please read the Instruction Guide completely before using the product.
- For product improvement, specifications and designs are subject to change without notice.