

# DC Input Controller for LED Lights

## PB-2430-1



### ■ Features

- DC24V input
- 24V / 24W rating
- 1-channel specification
- DIN rail installation
- Intensity control with variable voltage
- Lightweight, compact design

### Low-price DC Input Controller contributing to cost reductions

The PB-2430-1 is a Controller that operates on a voltage input of DC24V. It provides intensity control by varying the voltage, and illuminates LED Lights with a power consumption of up to 24W. Lightweight, compact design. DIN rail installation. The low-price of the PB-2430-1 contributes to cost reductions when introduced in a large volume to equipment.

#### PB-2430-1 Part Names



#### How to use

##### (1) Connections

- Connect the LED Light to the output connector.  
\* Connect a Light Unit that is within the output range of the Controller. (For details, see the specifications on the rear.)
- Connect the 24V DC power cable to the PB-2430-1.  
Use a cable to connect a power supply to the input terminal block on the PB-2430-1.  
\* Make sure the power supply is either disconnected or turned OFF.

##### (2) Turning on the power supply

- Turn on the power supply to illuminate the Light Unit connected to the PB-2430-1.  
\* There is no power switch on the PB-2430-1.

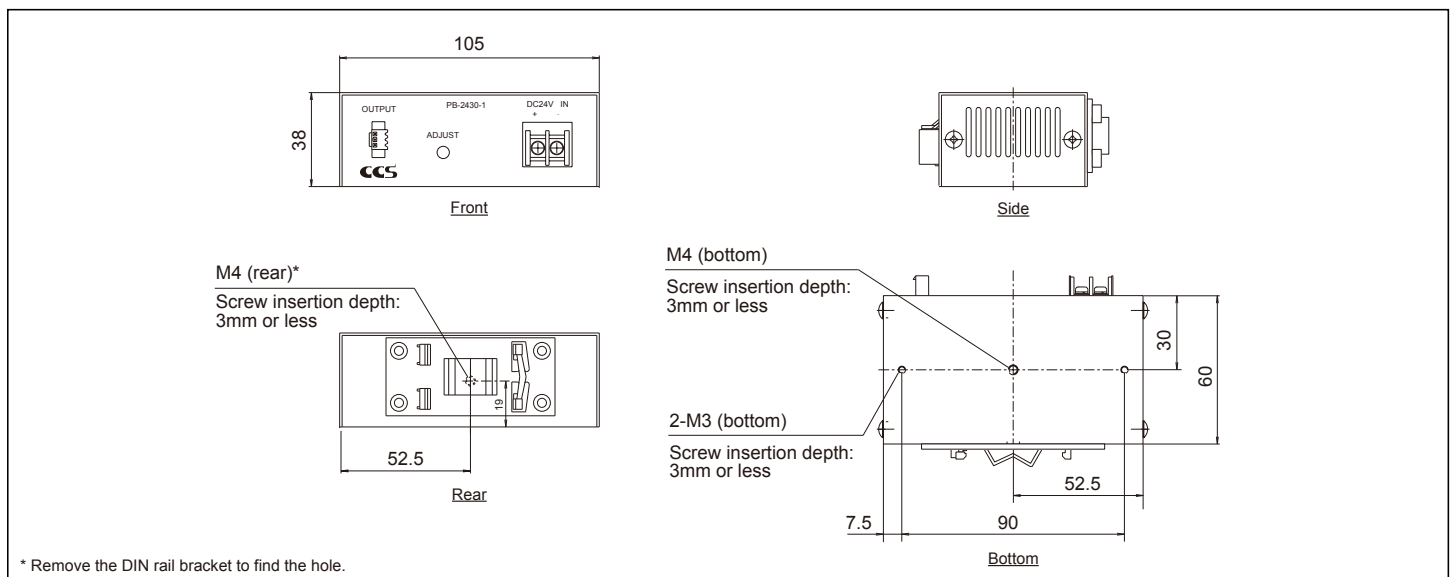
##### (3) Controlling the light intensity

- Turn the intensity control clockwise to increase brightness, and anticlockwise to reduce brightness.

## ■ Specifications

Model	PB-2430-1
Lighting method	Constant lighting
Drive method	Constant-voltage system
Light control method	Variable voltage control
No. of channels	One channel
Applicable illumination (rating)	24V 24W
Over current protection	Built in (input section, with poly-switch), 5.0A, 20°C during continuous operation
Input voltage (rating)	24V DC
Input voltage (range)	21.6 to 26.4V DC
Power consumption (typ.)	30W
Output voltage (range)	15.0 to 23.0V DC ( $\pm 10\%$ ) (for 24V DC input)
Insulation resistance, dielectric strength (Input/output - housing)	50V DC, 20M $\Omega$ min. 250V AC for one minute 1mA cutoff current
Operating temperature and humidity	Temperature: 0 to 40°C, Humidity: 20 to 85% RH (No condensation)
Storage temperature and humidity	Temperature: -20 to 60°C, Humidity: 20 to 85% RH (No condensation)
Cooling method	Natural air cooling
CE marking	EMC standard: Complies with EN61000-6-2, EN61000-6-4
Environmental regulation	RoHS compliant
Input connector	Input terminal block, use M3 screws with 7.62mm pitch
Output connector	SMP-03V-BC (JST)
Material, coating, surface processing	Steel plate, Thickness: 1.0, N3, Matt finish
Weight	270g

## ■ Dimensions (mm)



- "CCS" and "LIGHTING SOLUTION" are registered trademarks or trademarks of CCS Inc.

### CAUTION

- To use this product safely and correctly, be sure to read the *Instruction Guide* before use.
- The design of this product is subject to change without notification.

