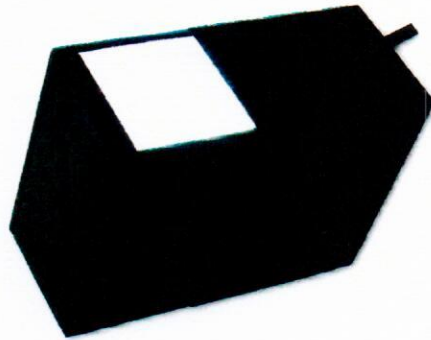


ACIS Advanced Coaxial Illumination System

Extremely diffuse and uniform coaxial illumination units for imaging of flat specular surfaces. Available with white, red and infrared LEDs.



- Available with white, red and infrared LEDs
- Compact, lightweight and reliable modules in different standard sizes
- Shadow-free coaxial illumination
- Strobe use applicable
- Special coated mirror protection glass optional available

Technical Specifications

Optical features

Light emitting diodes	white: 7800K, red: 630nm, infrared: 875nm
Light emitting surface (area)	35 x 35mm / 50 x 50mm / 75 x 75mm / 100 x 100mm
Average LED lifetime*	white: 30.000h / red, IR: 70.000h
LED radiation class	1

Electrical Characteristics

Supply Voltage V_s	24 V DC
Connector	M12 male; 4 poles

Mechanical Characteristics

Enclosure	Aluminium body, black anodized, IP20
MPG mirror protection glass	Camera side
Thermal management	Fan cooling

Ambient Conditions

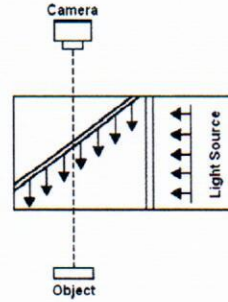
Ambient temperature	Operation: 0°C - +40°C, Storage: 0°C - +50°C
Humidity	Max. 95%, relative, not condensing

*Drop in intensity to 50%

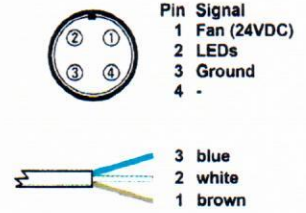
FIBEROPTIC

Current Consumption (Max.)

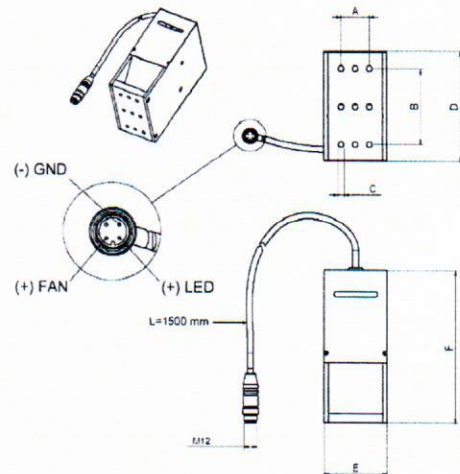
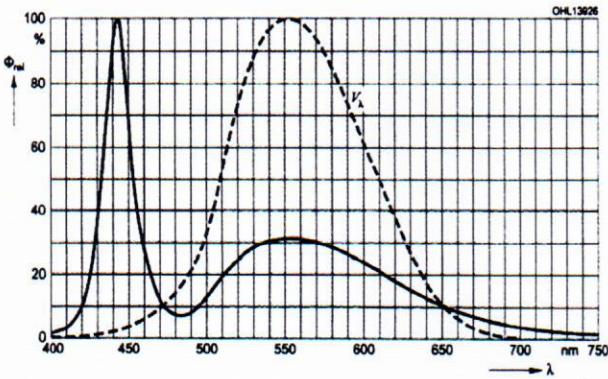
ACIS	White	Red	Infrared
35	350mA	250mA	350mA
50	700mA	650mA	950mA
75	1.050mA	750mA	1.050mA
100	1.750mA	1.050mA	1.500mA



4 poles M12 (with fan)



$V(\lambda)$ = Standard Eye Response Curve
 $\Phi_{rel} = f(\lambda)$, $T_{board} = 25^\circ C$, $I_f = 700mA$



Dimensions Chart

ACIS / Weight

ACIS 35 / 310g
ACIS 50 / 740g
ACIS 75 / 1200g
ACIS 100 / 1650g

A	B	C	D	E	F
-	36	(3x)M6 t=6	62	43	119
26	70	(9x)M6 t=8	102	58	141
45	70	(9x)M6 t=8	122	83	181
50	75	(9x)M6 t=8	152	108	211

RoHS compliant. Specifications subject to change without notice.

FIBEROPTIC

Product	Part No.
ACIS-35/35, white, 24VDC	76400.000
ACIS-35/35, red, 24VDC	76400.600
ACIS-35/35, infrared, 24VDC	76400.750
ACIS-50/50, white, 24VDC	76405.000
ACIS-50/50, red, 24VDC	76405.600
ACIS-50/50, infrared, 24VDC	76405.750
ACIS-75/75, white, 24VDC	76410.000
ACIS-75/75, red, 24VDC	76410.600
ACIS-75/75, infrared, 24VDC	76410.750
ACIS-100/100, white, 24VDC	76415.000
ACIS-100/100, red, 24VDC	76415.600
ACIS-100/100, infrared, 24VDC	76415.750

Accessories

Product	Part No.
ACIS Mirror Protection Glasses	
Mirror Protection Glass for ACIS 35/35	16400.007
Mirror Protection Glass for ACIS 50/50	16405.007
Mirror Protection Glass for ACIS 75/75	16410.007
Mirror Protection Glass for ACIS 100/100	16415.007
ACIS Trans Reflex Beam Splitter	
Trans reflex beam splitter for ACIS 35/35	16400.005
Trans reflex beam splitter for ACIS 50/50	16405.005
Trans reflex beam splitter for ACIS 75/75	16410.005
Trans reflex beam splitter for ACIS 100/100	16415.005

ILL-FBRT-11/2017 · Subject to technical change without notice. No liability is accepted for errors which may be contained in this document.