

CIS Dome 200

Cloudy day illumination for illuminating uneven specular surfaces. The CD 200 is a combination of a coaxial CIS and a classic Dome. It provides outstanding uniformity and is available with white and red LEDs.



M-12 Connector and Mounting Plate



LED-Lifetime >35.000h



Low Power Consumption

Technical Data

Optical Features

Available LED Colours	White, Red, Infrared
Total Uniformity	+/- 10%
LED Degredation Period	>35'000h*
LED Radiation Class	1
Suggested Field of View	Max. 100mm / 3.94"
Suggested Working Distance	< 25mm / 1"

Electrical Characteristics

Supply Voltage	24 V DC
Connector	M12 female 4-poles

Mechanical Characteristics

Enclosure Rating	IP 20
Weight	1.5kg (3.3 lbs)
Diameter / Height	200mm (7.87") / 156mm (6.14")

Ambient Conditions

Temperature	Operation: 0°C - 40°C / 32°F - 104°F Storage: 0°C - 50°C / 32°F - 122°F
-------------	--

Max. Shock Load 1g

Max. Humidity < 70%, relative

*Drop in intensity to 50%

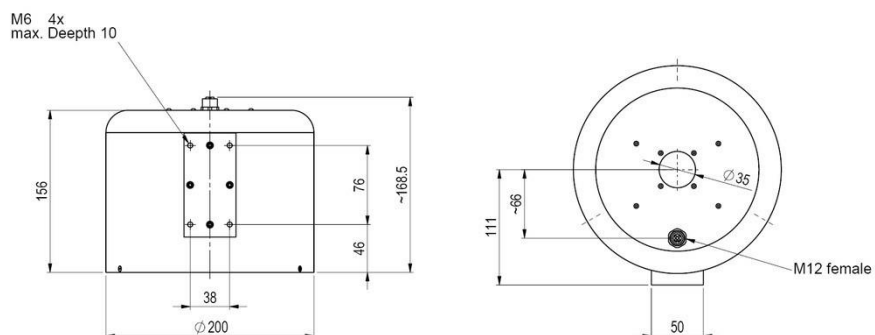
Variant Specifications	CIS Dome White	CIS Dome Red
Current Consumption @ 20°C	Dome 500mA CIS 330mA	Dome 400mA CIS 300mA
Wavelength / Color Temperature	Typ. 6200K	630nm +/- 10nm

Connecting Diagram



- 1 = Dome 24V (brown)
- 2 = CIS 24V (white)
- 3 = Dome GND (blue)
- 4 = CIS GND (black)

Dimensioned Drawing



RoHS compliant. EMC Directive 2004/108/EU. Specifications subject to change without notice.

Variants

Product	Part No.
CIS Dome CD 200 White	74425.000
CIS Dome CD 200 Red 630nm	74425.600