

# Line Coaxial Lights

## LNV series

Provides diffused light from the same axis as the camera



**LED color**  
● ● ● ●  
 Custom orders accepted

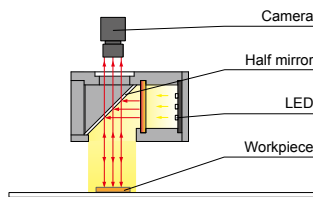
**Size**  
  
 Custom orders accepted

**Applications** Inspection for gaps between electronic parts on circuit boards, inspection for faults in lead frames, inspection for stains attached to sheet metal, etc.

### Features

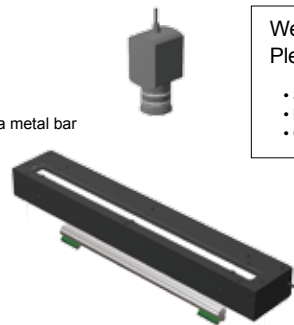
Line coaxial illumination.  
 Allows for imaging with a line sensor camera.

#### Example configuration (LNV-300 series)



#### Applications

Inspection for dents on a metal bar



We accept custom orders.  
 Please feel free to inquire.

- Shape modifications
- Brightness increases
- Changes in wavelength, etc.

### Lineup

Model name	LED color	Power consumption	Peak wavelength/ correlated color temperature	Options	Extension cables	Recommended Control Units	Weight
LNV-300RD2	Red	24 V / 19 W	630 nm	-	FCB <sup>*3</sup> Straight Cable	FCB-W 2-branch Cable	550 g
LNV-300SW2	White	24 V / 13 W	5,500 K		FCB-F 4-branch Cable	FRCB Robot Cable	
LNV-300BL2	Blue	24 V / 13 W	470 nm		PD3 <sup>*1</sup> CC-ST-1024 <sup>*4</sup> PSB    POD <sup>*2</sup>		
LNV-300GR2	Green	24 V / 9.9 W	525 nm		*4 Can only use green.		

LED Properties: Spectral Distribution ▶ P.290

Extension Cables ▶ P.280

Control Unit Selection Guide ▶ P.229

List of Control Unit Specifications ▶ P.231

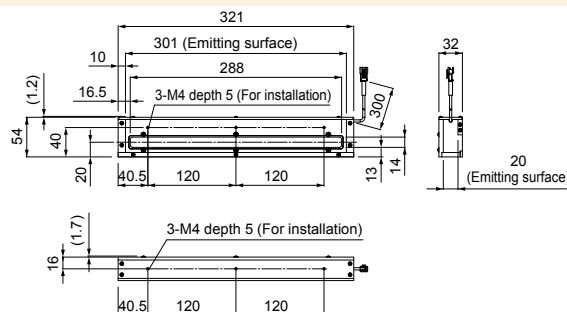
\*1: Custom products with a PWM frequency of 500 kHz are available for Digital Control Unit PD3 series. Please contact your CCS sales representative for details.

\*2: For information on the combination of Light Units and POD-series Control Unit, please refer to our website. <http://www.ccs-grp.com/lnk/q/psd>

\*3 The cables with a model name that ends with "-ME7" or "-EL2" are not included.

### Dimensions (mm)

LNV-300RD2/SW2/BL2/GR2



You can change the connectors of the LightUnit cable. Choose between M12 connectors and flying leads. Refer to P.5 for details.