

LTPRSM3W-B

3D LED pattern projector, blue

SPECIFICATIONS

Optical specifications

Light color, peak wavelength	blue, 460 nm
------------------------------	--------------

Power ratings

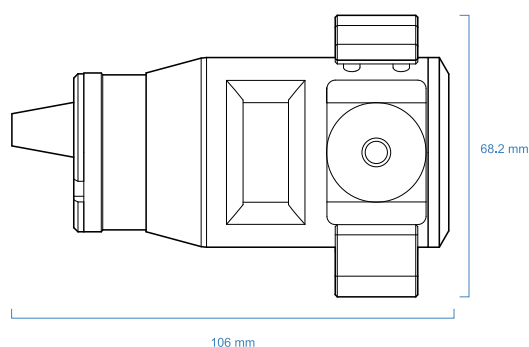
Minimum DC Voltage	(V)	12
Maximum DC voltage	(V)	24
Power consumption	(W)	< 3

LED power ratings

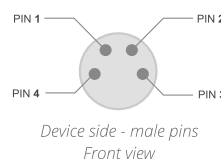
Forward voltage	(V)	3.8
Forward current	(mA)	700
Max pulse current @10% duty cycle/1kHz	(mA)	1800

Mechanical specifications

Mass	(g)	360
------	-----	-----



CONNECTION



Pinout reference

PIN	FUNCTION
1	Earth
2	GND
3	LED Anode
4	Power supply (+12÷24 V)

