

LTPRSM3W-G

3D LED pattern projector, green

SPECIFICATIONS

Optical specifications

| | |
|------------------------------|---------------|
| Light color, peak wavelength | green, 520 nm |
|------------------------------|---------------|

Power ratings

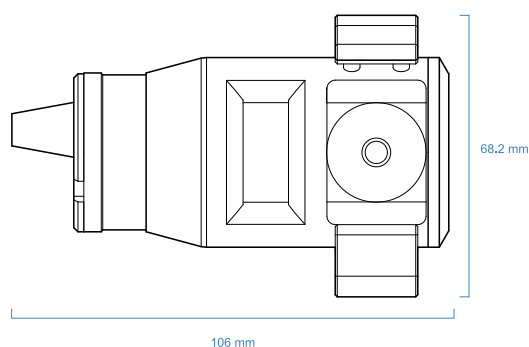
| | | |
|--------------------|-----|-----|
| Minimum DC Voltage | (V) | 12 |
| Maximum DC voltage | (V) | 24 |
| Power consumption | (W) | < 3 |

LED power ratings

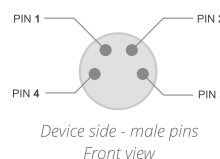
| | | |
|--|------|------|
| Forward voltage | (V) | 3.8 |
| Forward current | (mA) | 700 |
| Max pulse current @10% duty cycle/1kHz | (mA) | 1800 |

Mechanical specifications

| | | |
|------|-----|-----|
| Mass | (g) | 360 |
|------|-----|-----|



CONNECTION



Pinout reference

| PIN | FUNCTION |
|-----|-------------------------|
| 1 | Earth |
| 2 | GND |
| 3 | LED Anode |
| 4 | Power supply (+12÷24 V) |

