

# LTPRSM3W-R

3D LED pattern projector, red

## SPECIFICATIONS

### Optical specifications

Light color, peak wavelength	red, 630 nm
------------------------------	-------------

### Power ratings

Minimum DC Voltage	(V)	12
Maximum DC voltage	(V)	24
Power consumption	(W)	< 3

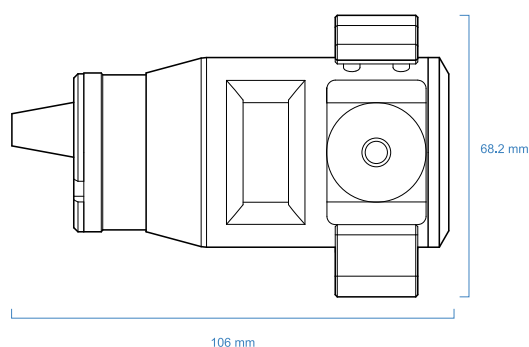
### LED power ratings

Forward voltage	(V)	2.6
Forward current	(mA)	700
Max pulse current @10% duty cycle/1kHz	(mA)	1800

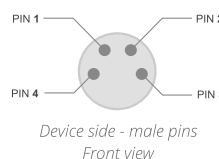
### Mechanical specifications

Mass	(g)	360
------	-----	-----

**Important notice:** to preserve the LED device lifetime, this unit must be driven at maximum duty-cycle of 10% in every usage mode.



## CONNECTION



### Pinout reference

PIN	FUNCTION
1	Earth
2	GND
3	LED Anode
4	Power supply (+12÷24 V)

