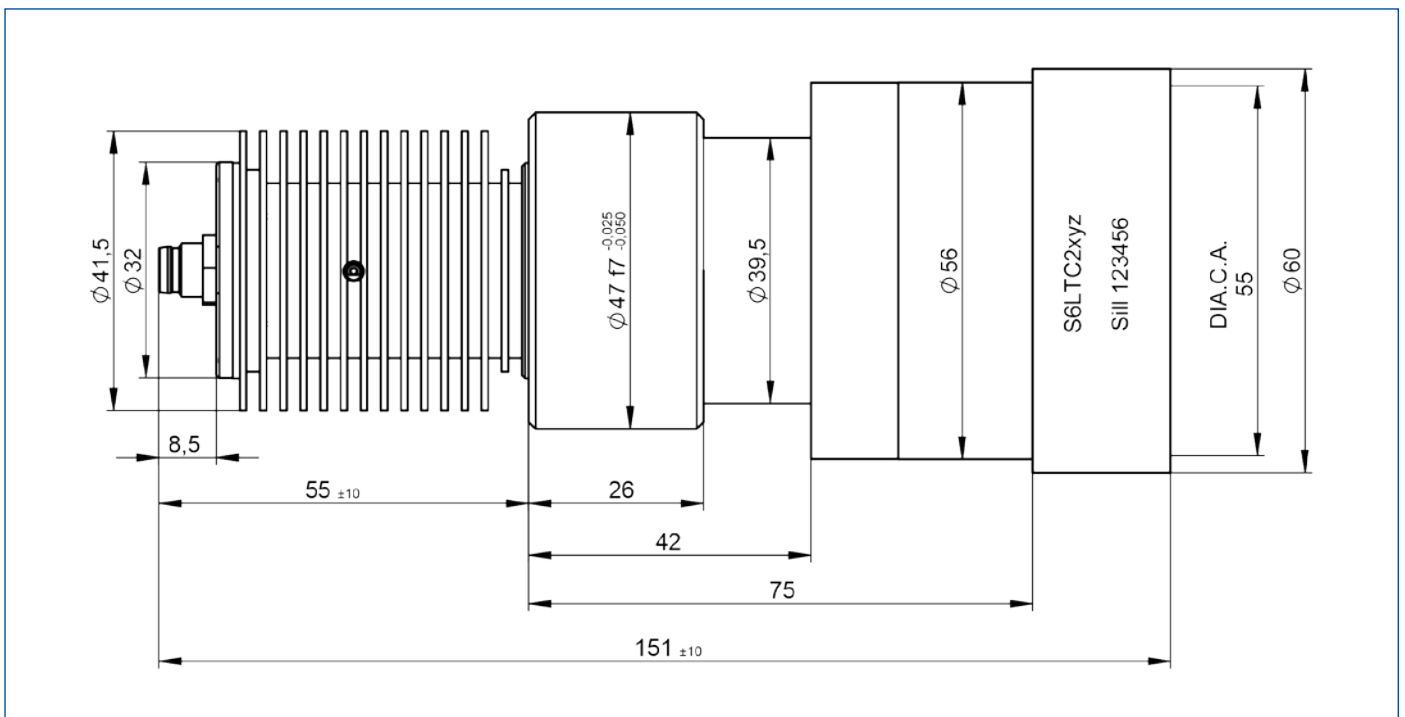


DATA SHEET



S6LTC2003

Correctal® LTC55
telecentric condenser
with dimmable LED
6500 K



outline drawing

DATA SHEET



specifications

article number	S6LTC2003
LED wavelength	6500 K
effective focal length [mm]	75.8
clear aperture [mm]	55
telecentric error [°]	0.2
length [mm]	152.5
recommended working distance [mm]	35.00 - 450.0
power supply DC [V]	12 - 24
max. power consumption [W]	4.4
dimmer [%]	10 - 100
connection	M8 / 4-pin male male
continuous illumination	pin 1 connect to pin 2: +24 V; pin 3+4: ground
flash illumination	pin 1: +24 V; pin 3: ground; pin 2+4: trigger
forward voltage [V] in flash mode	5 - 24
max. trigger frequency [kHz]	25
weight [kg]	0.40
accessory	S5ZUB0006 (connection cable), S5SET0022 (lens mount)



notes

- Safety:
Attention!
- please avoid water and other liquids
 - mounting can get hot during use

LED risk group 2 (DIN EN 62471:2009-03) at 500 mA - no special precautions necessary

Warranty: Attention! Please do not open the condenser, due to warranty issues. Warranty will be expired, if seal is broken.

Data given by design.

Encoding for possible modifications S6LTCwxyz:
w: clear aperture Ø
x: 0 = standard; 1 = glued
y: 0 = standard; 1 = with diffusor
z: wavelength / color

RoHS
compliant