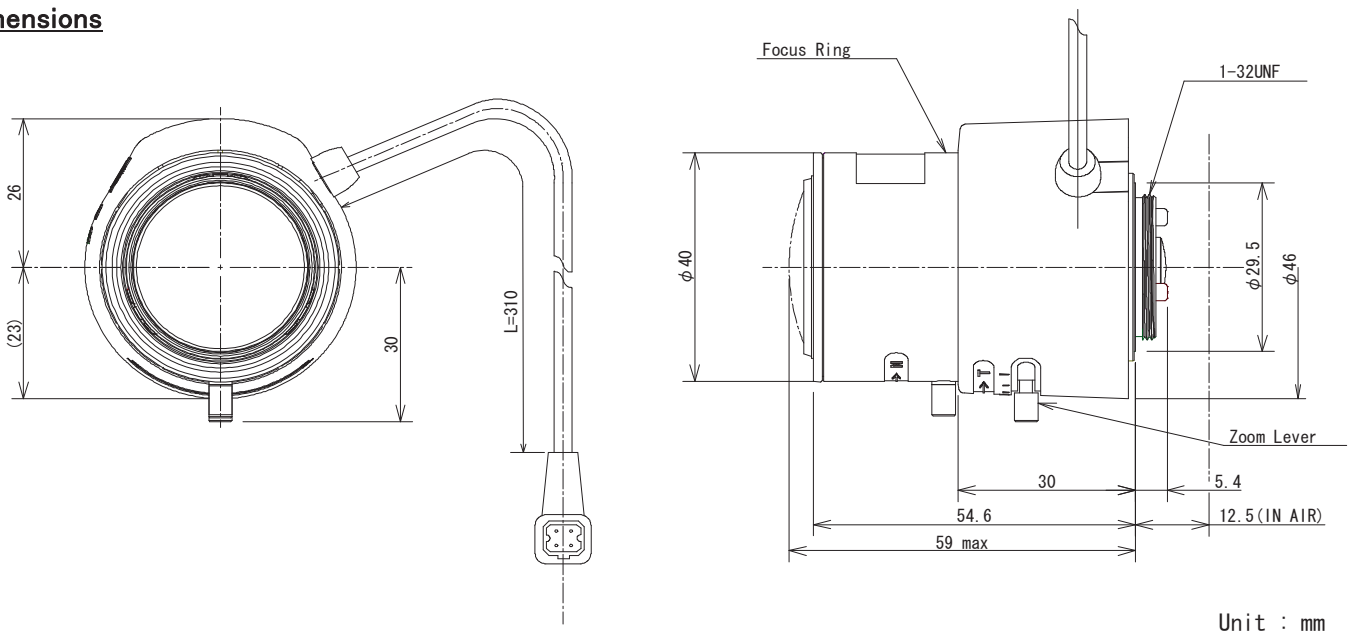


AG4Z2812KCS-MPIR

4X 2.8mm-10mm F1.2 Day & Night
for 1/2.7 type Megapixel Cameras, Vari-focal, Stepping Motor Iris
CS-Mount

Model No.		AG4Z2812KCS-MPIR		Effective	Front	φ 27.0mm		
Focal Length		2.8mm - 10mm		Lens Aperture	Rear	φ 9.7mm		
Max. Aperture Ratio		1:1.2		Back Focal Length	Tele	7.3mm		
Max. Image Format		3.2mm x 5.8mm(φ 6.6mm)			Wide	7.3mm		
Operation Range	Iris	F1.2 - F16C		Flange Back Length		12.5mm		
	Focus	0.5m - Inf.		Mount		CS-Mount		
	Zoom	2.8mm - 10mm		Filter Size		-		
Control	Iris	Stepping Motor		Dimensions		φ 40 mm × 49 mm × 59 mm		
	Focus	Manual		Weight		65g		
	Zoom	Manual						
Angle of View	D	1/2.7 type	154.0° - 39.0°	1/3 type	133.5° - 35.5°	1/4 type	94.1° - 26.6°	
	H		127.6° - 34.3°				101.3° - 28.4°	73.7° - 21.3°
	V		65.0° - 18.9°				73.7° - 21.3°	54.4° - 16.0°
Operating Temperature		-10°C - +50°C						

Dimensions



Unit : mm

Wiring Diagram

