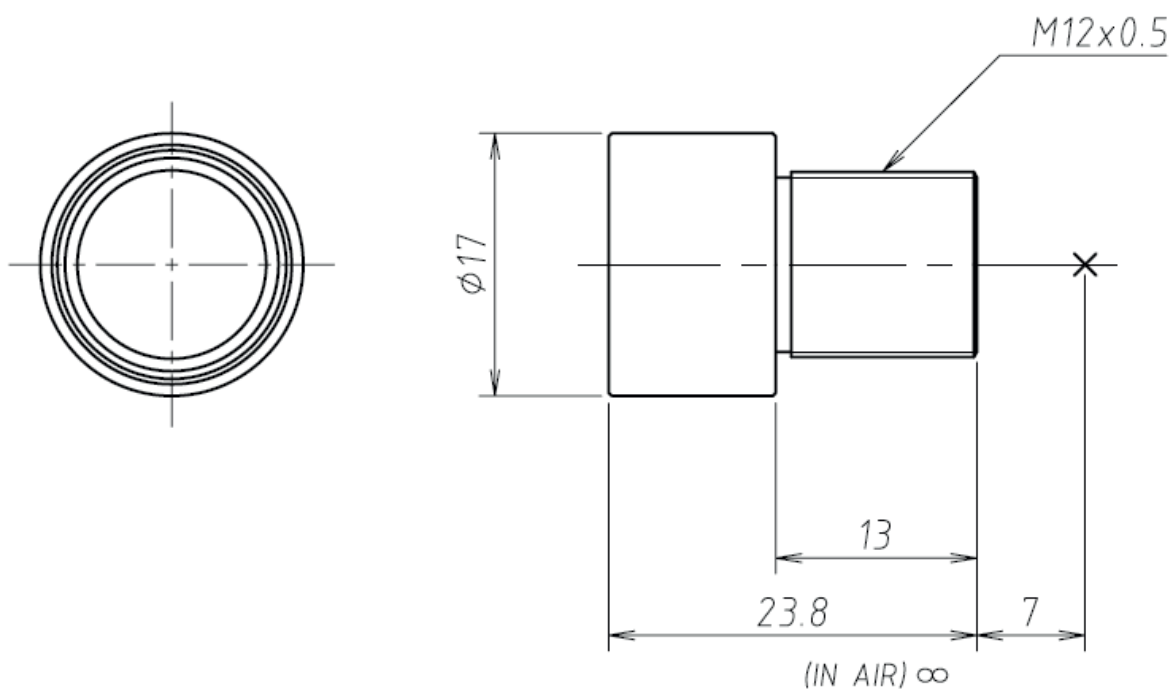


# H2520KP

**f = 25.0mm F2.0 Megapixel lens  
for 1/2 type Format Board Cameras, No Iris**

Model No.	H2520KP		Effective	Front	$\phi$ 12.2mm		
Focal Length	25.0mm		Lens Aperture	Rear	$\phi$ 8.6mm		
Max. Aperture Ratio	1:2.0		Distortion		1.0% ( $\gamma=4$ )		
Max. Image Format	6.4mm x 4.8mm ( $\phi$ 8mm)		Back Focal Length		9.23mm		
Operation Range	Iris	—		Flange Back Length		—	
	Focus	0.13m - Inf.		Mount		M12 P=0.5mm	
Object Dimention at M.O.D.	1/2 type	3.1cm x 2.3cm ( $\phi$ 3.9)		Dimensions		$\phi$ 17.0mm x 23.8mm	
	1/3 type	2.3cm x 1.7cm ( $\phi$ 2.9)		Weight		10.0g	
Coating	MgF2 Single Coat (All Surfaces $\lambda = 510\text{nm}$ )						
Angle of View	D	1/2 type	18.0°	1/3 type	13.6°	1/4 type	10.3°
	H		14.5°		10.9°		8.2°
	V		10.9°		8.2°		6.2°

## Dimensions



O-COMP18-06/2015 · Subject to technical change without notice. No liability is accepted for errors which may be contained in this document.