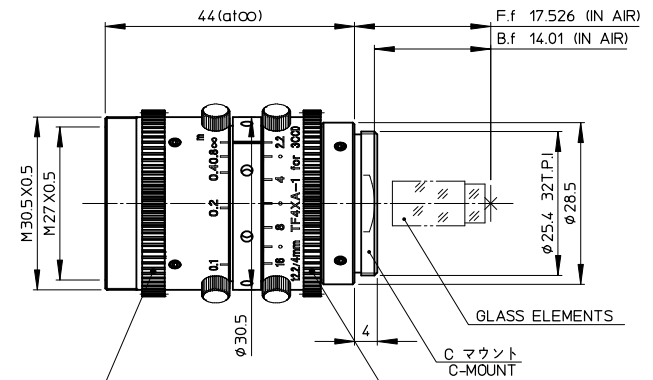
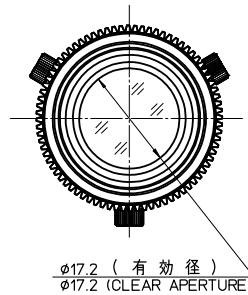


OPTICAL & MECHANICAL SPECIFICATIONS

1.Application	For 1/3" Format 3CCD Color Camera
2.Focal Length	4 mm
3.Maximum Relative Aperture	1 : 2.2
4.Iris Range	F2.2 - F16 , Close
5.Image Size	φ6.0 mm (5.23 mm X 2.94 mm)
6.Back Focal Length	14.01 mm (in air)
7.Flange Focal Length	17.526 mm (in air)
8.Focus Range	∞ - 0.1 m (from Front of Lens)
9.Shift of Front Lens	0.15 mm
10.Field Angle	
a) Horizontal	71°28'
b) Vertical	41°31'
c) Diagonal	80°40'
11.Field of View at M.O.D	
a) Horizontal	158 mm
b) Vertical	83 mm
12.Clear Aperture	
a) Front	φ17.2 mm
b) Rear	φ8.4 mm
13.Exit Pupil Position	-114 mm (from Image Plane)
14.Control	
a) Iris	Manual (Op. Angle 110.5°)
b) Focus	Manual (Op. Angle 90°)
15.Mount	C-Mount
16.Filter Screw Size	M27X0.5 DEPTH 2.5 mm (INSIDE) M30.5X0.5 LENGTH 5.5 mm (OUTSIDE)
17.Mass	APPROX 100 g

ENVIRONMENTAL CONDITIONS

1.Temperature	
a) Operating	-10°C to +50°C
b) Storage	-20°C to +60°C
2.Relative Humidity	35% to 90%



フォーカス歯車 モジュール 0.4
ピッチ円直径 φ32
FOCUS GEAR MODULE 0.4
PITCH DIA. φ32

アイリス歯車 モジュール 0.4
ピッチ円直径 φ32
IRIS GEAR MODULE 0.4
PITCH DIA. φ32

