



**For FA/Machine Vision  
3CCD Camera**

## TF25DA-8B

Applicable camera (model)

1	2/3	1/2	1/3	1/4

**NEW**



- Special design for optimizing the image quality of 3CCD cameras.
- Low-distortion design achieving accurate image input.
- Compact, lightweight and robust design, supporting various systems.
- Faithful color reproduction for 3CCD cameras, best suited for advanced monitoring applications.
- Robust enclosure that can withstanding vibrations and shocks. Equipped with locking screws for the iris and the focus.

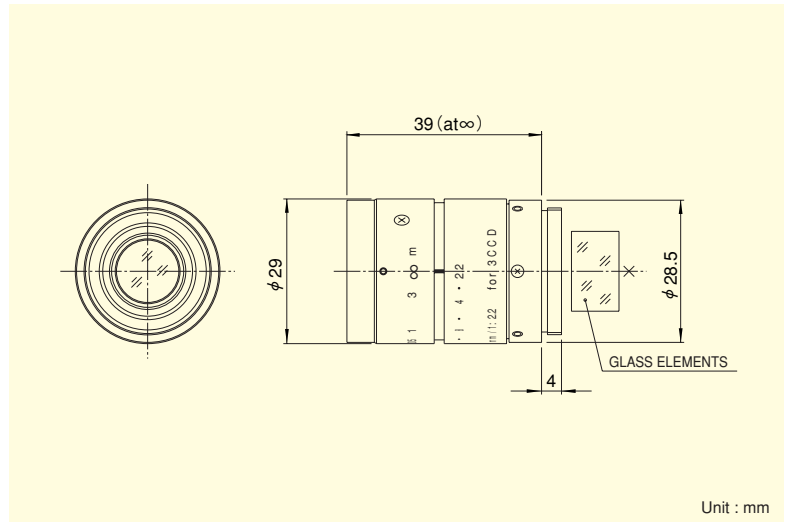
**FIXED**  
Fixed Focal

**3CCD**  
For 3CCD Camera

**MANUAL**  
Manual Iris

**C-mt**  
C Mount

**METAL**  
Metal Mount



Focal Length (mm)		25
Iris Range		F2.2 ~ F16 • Close
Operation	Focus	Manual
	Iris	Manual
Angle Of View (H×V)	1/3"	10°58' × 8°14'
Focusing Range (From Front Of The Lens) (m)		∞ ~ 0.2
Object Dimensions at M.O.D. (H×V) (mm)	1/3"	42 × 32
Back Focal Distance (in air) (mm)		15.12
Exit Pupil Position (From Image Plane) (mm)		-120
Filter Thread (mm)		M25.5 × 0.5
Mount		C
Mass (g)		60
Remarks	<ul style="list-style-type: none"> <li>•With Metal Mount</li> <li>•With Locking Screw for Iris and Focus</li> </ul>	

O-FUJ142-05/2016 · Subject to technical change without notice. No liability is accepted for errors which may be contained in this document.