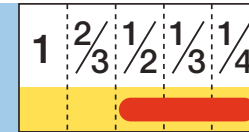




**For Security
Fish-Eye**

FE185C046HA-1

Applicable camera (model)

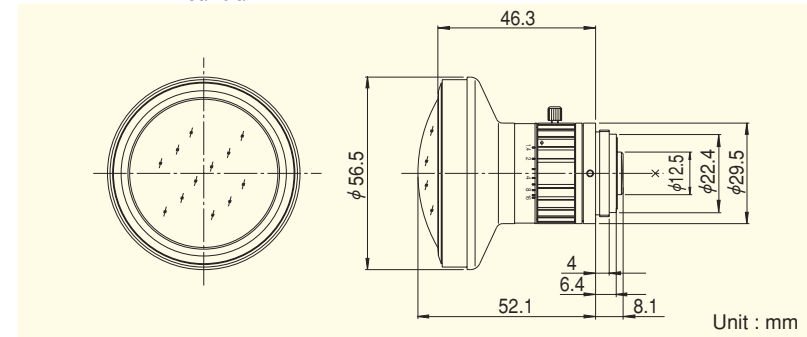


- FIXED**
Fixed Focal
- Fish-Eye 185°**
Fish-Eye
- 5 Mega**
For Megapixel Camera
- MANUAL**
Manual Iris
- C-mt**
C Mount
- METAL**
Metal Mount
- F1.4**
Wide Aperture Rate



*Photograph is a similar model.

- High-resolution design, providing support for up to 5 megapixel camera resolution.
- Super wide angle of 185 degrees that eliminates dead angles and enables effective, wide-area surveillance.
- Designed with the f-theta system, most suited for uniform displaying of images. Allows high-quality image display, partial enlargement, and conversion to ordinary-looking images to be performed easily with imaging software.



Focal Length (mm)		1.4
Iris Range		F1.4 ~ F16
Operation	Focus	Fixed
	Iris	Manual
Angle Of View (H×V)	1/2"	185° × 185° (φ4.6mm)
	1/3"	185° × 144°47'
	1/4"	144°47' × 108°35'
Focusing Range (From Front Of The Lens) (m)		∞ ~ 0.1
Back Focal Distance (in air) (mm)		9.70
Exit Pupil Position (From Image Plane) (mm)		-61
Filter Thread (mm)		—
Mount		C
Mass (g)		140
Remarks	•With Metal Mount •With Locking Knob for Iris	

[Fish-Eye Lens Image]

