

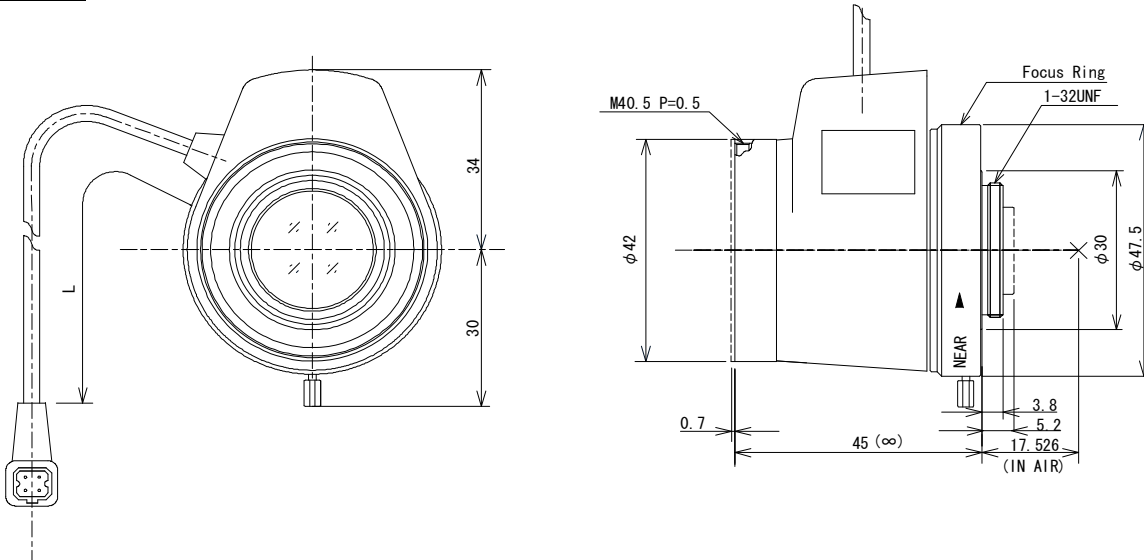
MG1616KC-MP

f=16mm F1.6

for 2/3 type 5 Megapixel Cameras, Fixed-focal, Stepping Motor Iris
C-Mount

Model No.		MG1616KC-MP		Effective	Front	ϕ 21.9mm	
Focal Length		16mm		Lens Aperture	Rear	ϕ 11.0mm	
Max. Aperture Ratio		1:1.6		Back Focal Length		13.3mm	
Max. Image Format		6.6mm x 8.8mm(ϕ 11mm)		Flange Back Length		17.526mm	
Operation Range	Iris	F1.6 - F16C		Mount		C-Mount	
	Focus	1m - Inf.		Filter Size		M40.5 \times 0.5	
	Zoom	-		Dimensions		ϕ 42mm \times 57.8mm \times 45mm	
Control	Iris	Stepping Motor		Weight		110 g	
	Focus	Manual					
	Zoom	-					
Angle of View	D	2/3 type	38.0°	1/2 type	28.1°	1/3 type	21.3°
	H		30.8°		22.7°		17.1°
	V		23.4°		17.1°		12.9°
Operating Temperature		-10°C - +50°C					

Dimensions



Wiring Diagram

