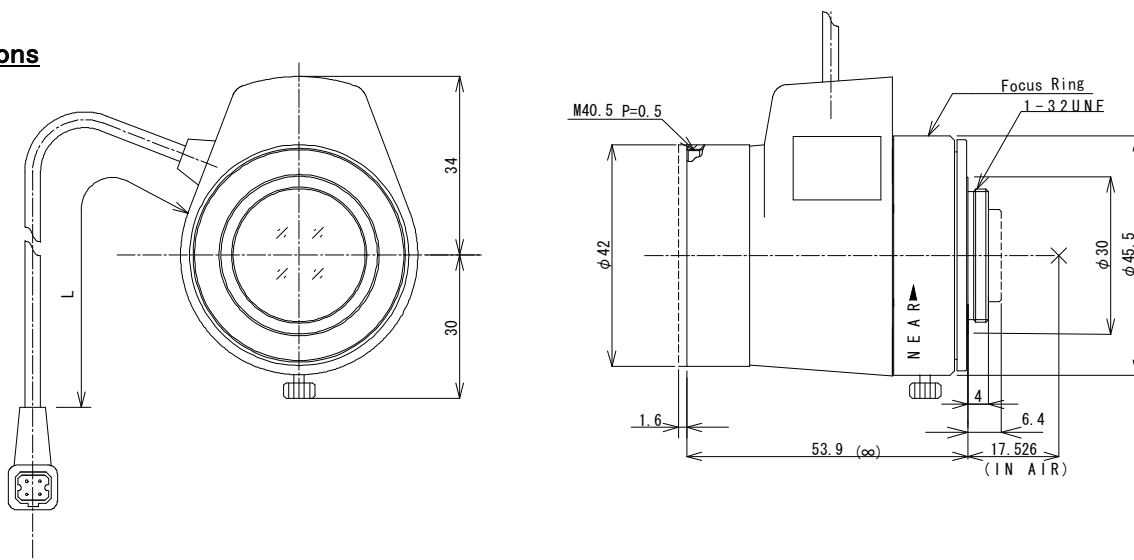


MG5020KC-MPIR

f=50mm F2.0 Day & Night
for 2/3 type 5 Megapixel Cameras, Fixed-focal, Stepping Motor Iris
C-Mount

Model No.	MG5020KC-MPIR		Effective	Front	ϕ 25.2mm		
Focal Length	50mm		Lens Aperture	Rear	ϕ 11.0mm		
Max. Aperture Ratio	1:2.0		Back Focal Length		14.8mm		
Max. Image Format	11.3mm x 6.0mm(ϕ 12.8mm)		Flange Back Length		17.526mm		
Operation Range	Iris	F2.0 - F16C		Mount	C-Mount		
	Focus	2m - Inf.		Filter Size	M40.5 \times 0.5		
	Zoom	-		Dimensions	ϕ 42mm \times 56.8mm \times 53.9mm		
Control	Iris	Stepping Motor		Weight	129 g		
	Focus	Manual					
	Zoom	-					
Angle of View	D	2/3 type	12.2°	1/2 type	8.9°	1/3 type	6.7°
	H		9.8°		7.1°		5.3°
	V		7.3°		5.3°		4.0°
Operating Temperature	-10°C - +50°C		CMV2000 11.264 \times 5.984 (ϕ 12.75)	D	14.1°		
				H	12.5°		
				V	6.7°		

Dimensions



Wiring Diagram

