



ZEISS Interlock Compact 2.4/85



Features

- Very compact but suitable to large image format
- For industrial cameras up to sensor sizes of 24x36 mm or 41mm line sensors
- Precise manual focusing
- Robust full-metal construction
- Features special screws to fix focus and aperture settings even in rough situations
- Due to light weight resistant against vibrations and shocks
- High contrast over the entire image field

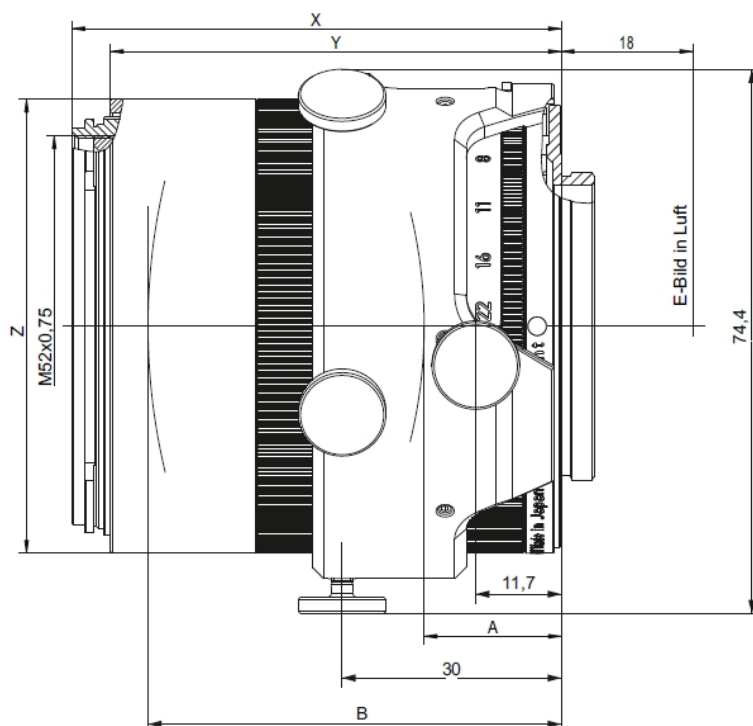
Camera Mount

M42x1 screw mount
(18 mm FFD)



ZEISS Interlock Compact 2.4/85

Technical Specifications



X	Y	Z	A	B
89.77 mm (inf.)	84.5 mm	Ø = 62.5 mm	9.65 mm (inf.)	82.15 mm (inf.)

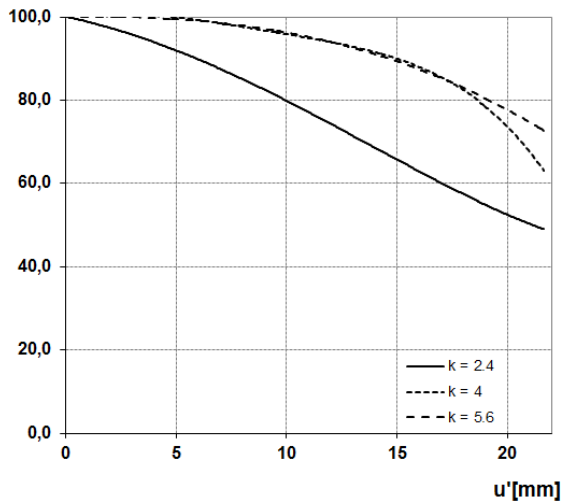
Focal length	85 mm
Aperture range	f/2.4 – f/22
Number of elements / groups	7 / 7
Min. working distance (object to sensor)	800 mm (2.62 ft.) – ∞
Min. free working distance	685 mm (2.25 ft.) – ∞
Angular field* (diag. / horiz. / vert.)	28.6 / 24.1 / 16.2°
Max. diameter of image field	43.0 mm (1.7")
Flange focal length	18.0 mm
Coverage at close range	258 x 172 mm (10.1 x 6.8"), line 296 mm (11.6")
Image ratio at close range	1:7.2
Filter-thread	M 52 x 0.75
Weight	648 g (1.43 lbs.)
Camera mount	M42 (18.0 mm FFD)

* referring to 24 x 36 mm format resp. 43 mm line



ZEISS Interlock Compact 2.4/85

Relative Illuminance*

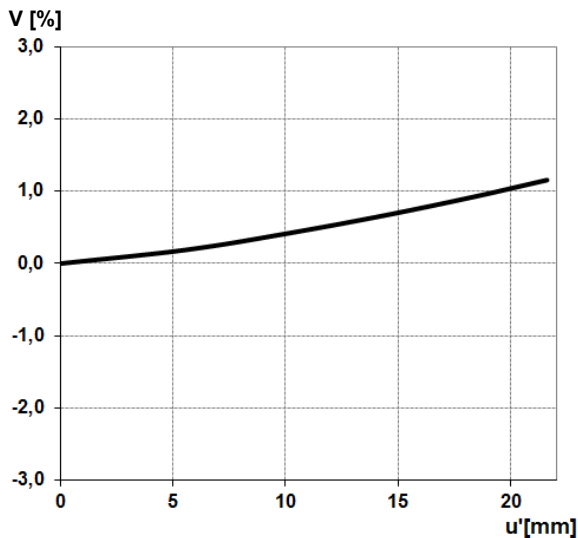


E [%]

The relative illuminance shows the image brightness over the image height u' in relation to the image center.

- f-number = 2.4
- - f-number = 4
- · - f-number = 5.6

Relative Distortion*



V [%]

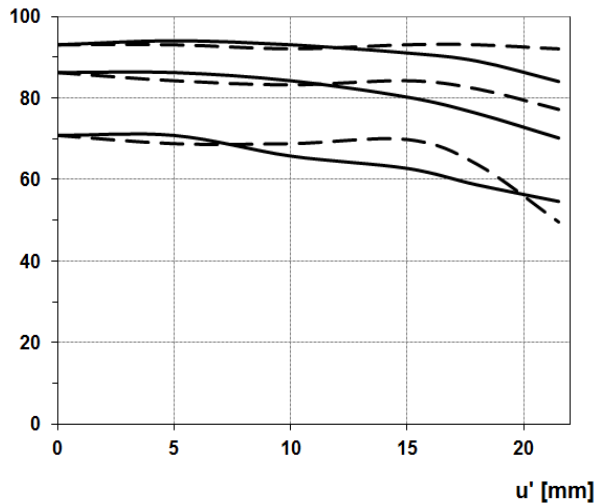
The relative distortion shows the deviation of the image height from the expected image height u' in percent.

**Data for infinite focus setting*



ZEISS Interlock Compact 2.4/85

MTF Charts*

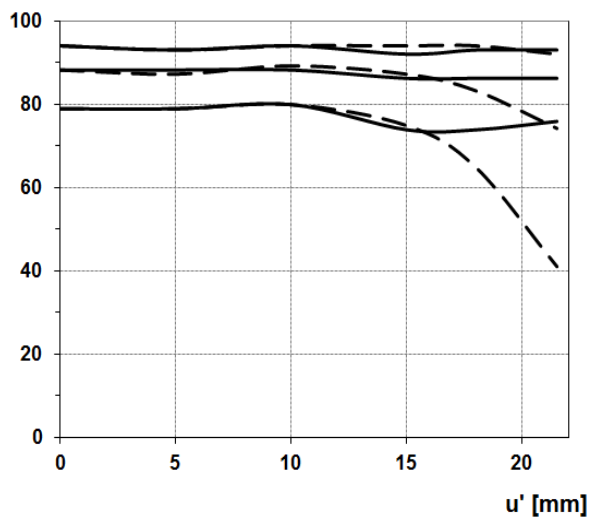


Contrast [%]

The Modulation Transfer (MTF) as a function of image height (u) and slit orientation (saggital, tangential) has been measured with white light at spatial frequencies of $R = 10, 20$ and 40 cycles/mm.

F-Number 2.4

— Saggital
... Tangential



Contrast [%]

F-Number 5.6

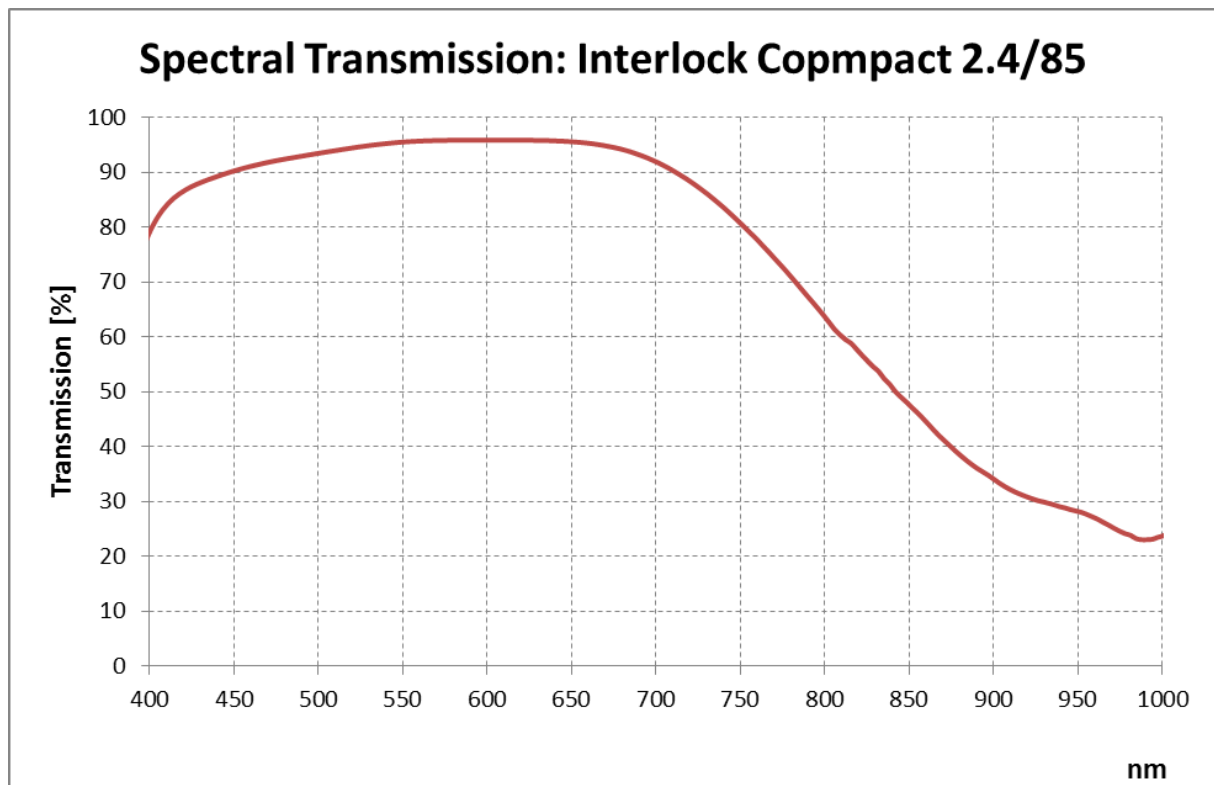
— Saggital
... Tangential

*Data for infinite focus setting



ZEISS Interlock Compact 2.4/85

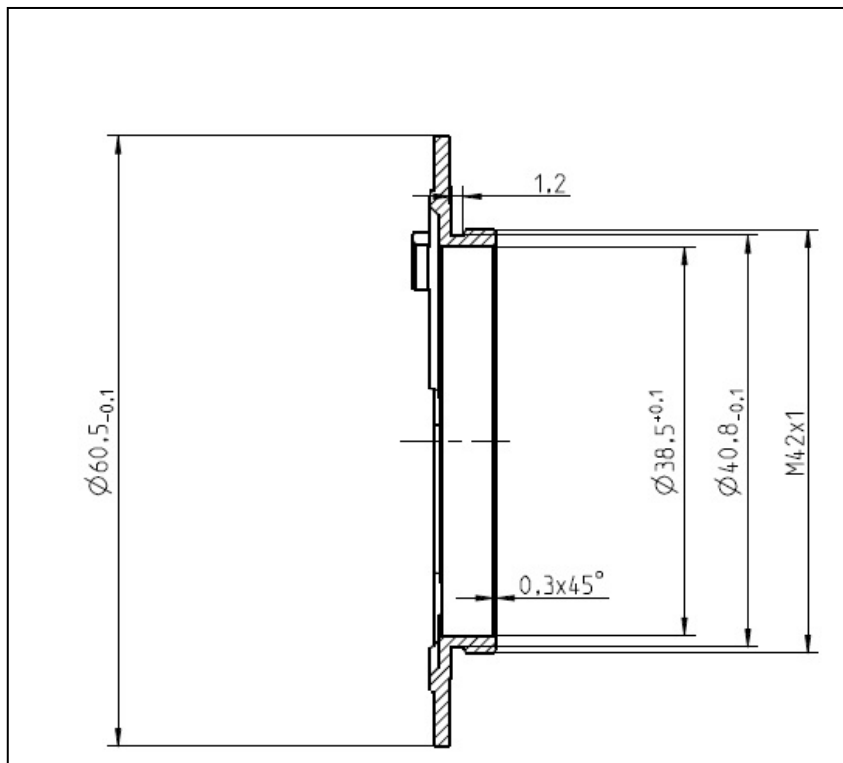
Spectral Transmission





ZEISS Interlock Compact 2.4/85

Sketch of the M42x1 Interface (FFD 18.0 mm)



The diameter of the camera/lens adapter must not exceed 60 mm at the interface to the lens !