

Anti-Shading Lens

Apo-Xenoplan 2.0/35-2001

These high-resolution, high-speed lenses are optimized for the use of 4 and 8 megapixel 1.3" sensors with micro-lenses on the sensor surface. The special optical design prevents unwanted shading on the sensor. This makes it much easier to combine a homogeneous luminance distribution with high imaging performance. The image circles are very large for C-Mount lenses. With a 1.3" sensor, the relatively short focal lengths allow a large coverage range at a short working distance. The lenses are also broadband coated and can be used in the visible range 400 – 700 nm or the near infrared range 700 – 1000 nm.



Apo-Xenoplan 2.0/35

Key Features

- Anti-shading for sensor sizes up to 1.3"(image circle 24 mm)
- Designed for 4 and 8 Mpix sensors with micro-lenses
- High resolution optics 400 - 700 nm (VIS) / 700 - 1000 nm (NIR)
- Very high MTF across the entire sensor
- Robust mechanics for industrial environment
- Compact and low weight
- Focus and iris setting lockable

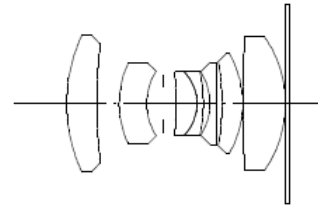
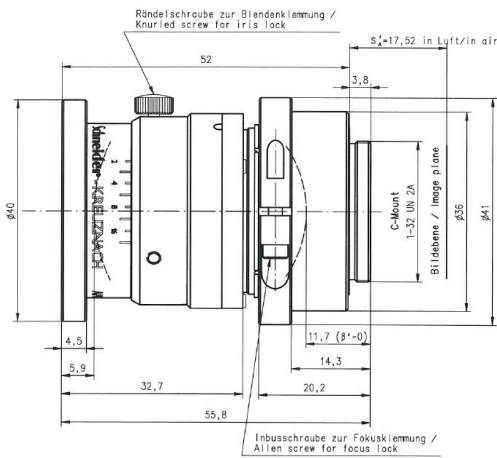
Applications

- Machine Vision and other imaging applications
- 3D measurement
- Traffic
- Etc.

Technical Specifications

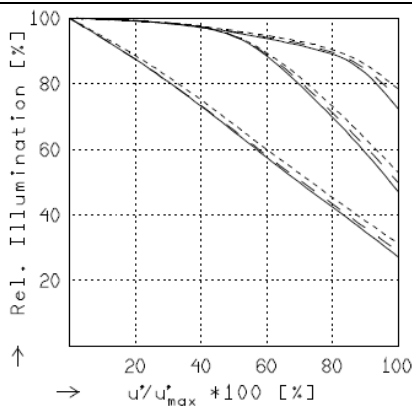
F-number	2.0
Focal length	35.1 mm
Image circle	24 mm
Transmission	400 - 1000 nm
Interface	C-Mount
Weight	160 gr.
Filter thread	M37 x 0.75
Code no.	1006219

Apo-Xenoplan 2.0/35



APO-XENOPLAN 2/35

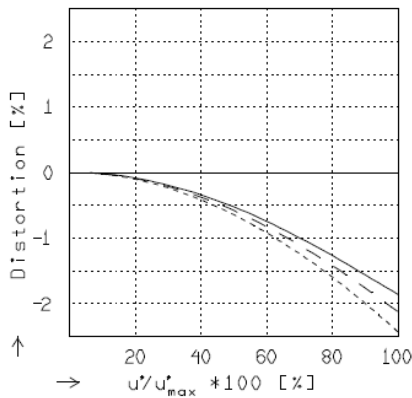
f' = 35.1 mm	β'_p = 1.991
s_F = 1.6 mm	s_{EP} = 19.2 mm
$s_{F'}$ = 29.7 mm	s_{AP} = -45.2 mm
HH' = -8.1 mm	Σd = 39.0 mm



RELATIVE ILLUMINATION

The relative illumination is shown for the given focal distances or magnifications.

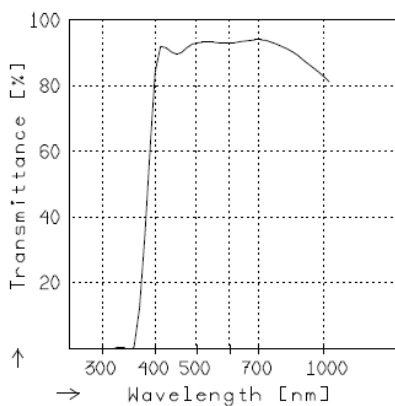
	$f / 2.1$	$f / 2.8$	$f / 4.0$
— $\beta' = -0.0200$	$u'_{max} = 14.4$	$00' = 1817.$	
- - $\beta' = -0.0500$	$u'_{max} = 14.3$	$00' = 765.$	
--- $\beta' = -0.0900$	$u'_{max} = 14.3$	$00' = 455.$	



DISTORTION

Distortion is shown for the given focal distances or magnifications. Positive values indicate pincushion distortion and negative values barrel distortion.

— $\beta' = -0.0200$	$u'_{max} = 14.3$	$00' = 1817.$
- - $\beta' = -0.0500$	$u'_{max} = 14.3$	$00' = 765.$
--- $\beta' = -0.0900$	$u'_{max} = 14.3$	$00' = 455.$



TRANSMITTANCE

Relative spectral transmittance is shown with reference to wavelength.

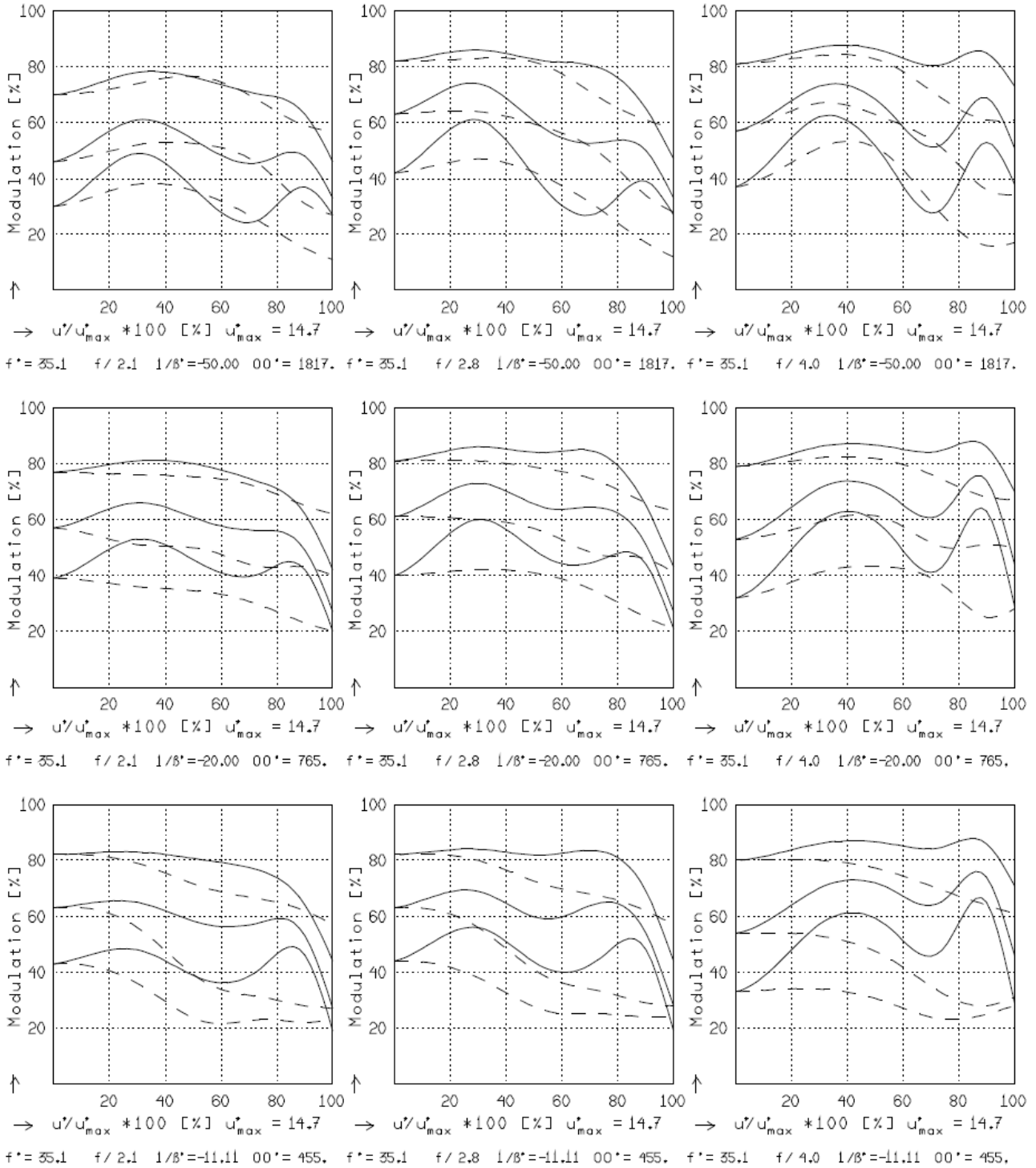
Apo-Xenoplan 2.0/35

APO-XENOPLAN 2/35

MODULATION with reference to the relative image height

Wavelength λ	[nm] :	555	655	605	505	455	405
Spectral weighting	[%] :	19.6	23.7	22.2	15.7	12.1	6.7
Spatial frequency R	[1/mm] :	25	50	75			
Image- \emptyset f / 2.1	[mm] :	24.0					
Image- \emptyset f / 4.0	[mm] :	24.0					

radial —
tangential - -



Focusing : MTF_{max} at f / 2.0 , R = 75 1/mm, $u'/u'_{max} = 0$