

C-Mount Mega-Pixel Lens

Xenon 0.95/25-0037

This 1" megapixel lens has an extremely high relative aperture of 0.95, making it perfectly suitable for low light applications. The lens is corrected and coated for the visible light in the range of 400 - 700 nm. Even under production and / or extreme conditions, the robust mechanical design with lockable focus and iris setting mechanism guarantees reliable continuous use in which the set optical parameters remain in place.



Xenon 0.95/25

Key Features

- Very high relative aperture of 0.95
- Complex optical design
- High optical imaging performance
- Compact full metal mount
- Vibration insensitivity for stable imaging performance
- Focus and iris setting lockable

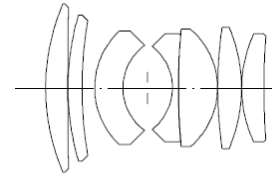
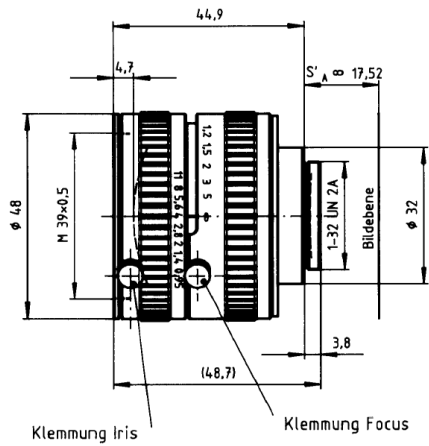
Applications

- Machine Vision and other imaging applications
- 3D measurement
- Traffic
- Medical
- Robot vision
- Food processing

Technical Specifications

F-number	0.95
Focal length	25.6 mm
Image circle	16 mm
Transmission	400 - 700 nm
Interface	C-Mount
Weight	240 gr.
Filter tread	M39 x 0.5
Code no.	12101

Xenon 0.95/25



XENON 0.95/25MM

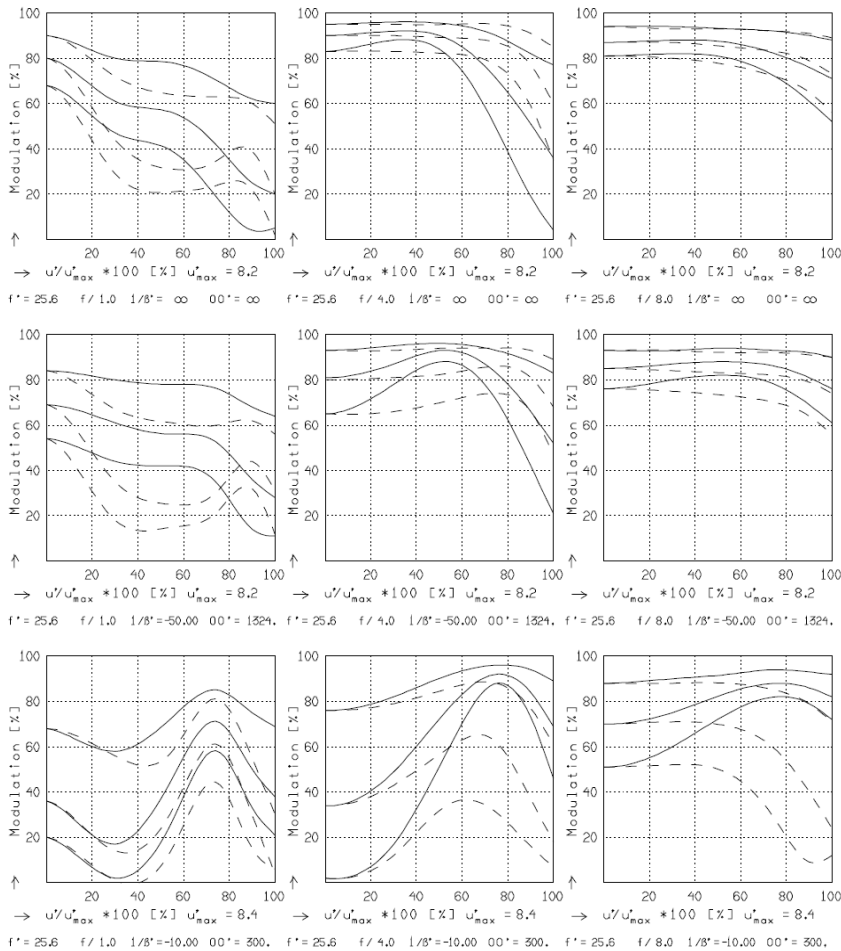
f'	= 25.6 mm	β'_p	= 4.086
s_F	= 16.9 mm	s_{EP}	= 23.1 mm
$s_{F'}$	= 16.2 mm	$s_{A'P}$	= -88.5 mm
HH'	= -10.5 mm	Σd	= 41.4 mm

XENON 0.95/25MM

MODULATION with reference to the relative image height

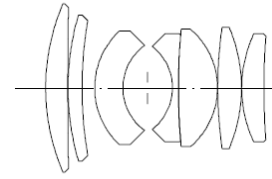
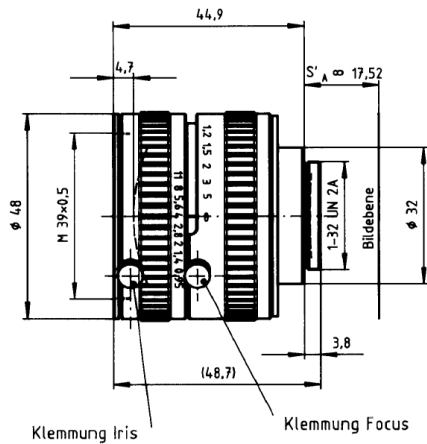
Wavelength λ	[nm]	555	655	605	505	455	405
Spectral weighting	[%]	19.6	23.7	22.2	15.7	12.1	6.7
Spatial frequency R	[1/mm]	10	20	30			
Format	[mm X mm]	9.6	X	12.8			
Diagonal $2u'$	[mm]	16.0					

radial —
tangential - -



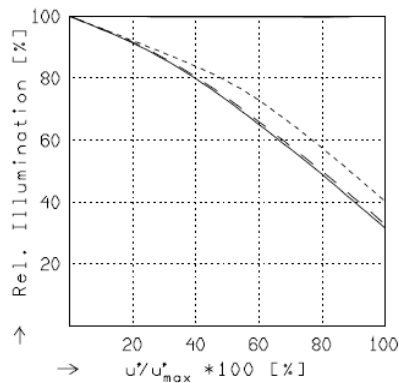
Focusing : MTF_{max} at $f / 1.0$, $R = 30$ 1/mm, $u'/u'_{max} = 0$

Xenon 0.95/25



XENON 0.95/25MM

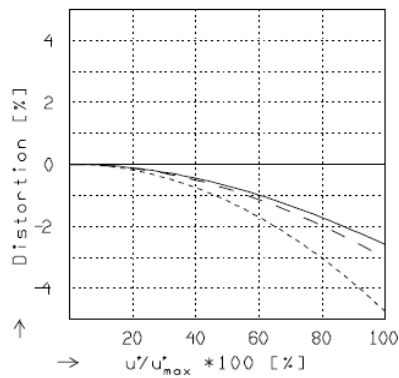
$f' = 25.6 \text{ mm}$	$\beta_p' = 4.086$
$s_F = 16.9 \text{ mm}$	$s_{EP} = 23.1 \text{ mm}$
$s_F^* = 16.2 \text{ mm}$	$s_{AP}^* = -88.5 \text{ mm}$
$HH' = -10.5 \text{ mm}$	$\Sigma d = 41.4 \text{ mm}$



RELATIVE ILLUMINATION

The relative illumination is shown for the given focal distances or magnifications.

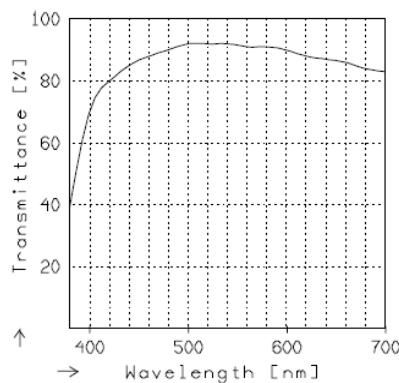
	$f / 1.0$	$f / 4.0$	$f / 8.0$
— $\beta' = 0.0000$	$u_{max}' = 8.0$	$00' = \infty$	
- - $\beta' = -0.0200$	$u_{max}' = 8.0$	$00' = 1323.$	
---- $\beta' = -0.1000$	$u_{max}' = 8.0$	$00' = 300.$	



DISTORTION

Distortion is shown for the given focal distances or magnifications. Positive values indicate pincushion distortion and negative values barrel distortion.

— $\beta' = 0.0000$	$u_{max}' = 8.0$	$00' = \infty$
- - $\beta' = -0.0200$	$u_{max}' = 8.0$	$00' = 1323.$
---- $\beta' = -0.1000$	$u_{max}' = 8.0$	$00' = 300.$



TRANSMITTANCE

Relative spectral transmittance is shown with reference to wavelength.

OPT-SKR68-06/2018 · Subject to technical change without notice. No liability is accepted for errors which may be contained in this document.