



ZEISS Dimension 2/12



Features

- fast f/2 aperture
- excellent image quality, leading to highest data precision over the complete image field
- for industrial cameras up to sensor sizes of 4/3"
- robust full-metal construction made of aluminium
- small and compact
- possibility to adjust the back focal distance to compensate for tolerances of camera bayonets
- possibility for azimuthal adjustment ensures best possible readability of scales
- fixable focus and aperture settings
- optimized spectral transmission in VIS and near IR range through ZEISS T* coating

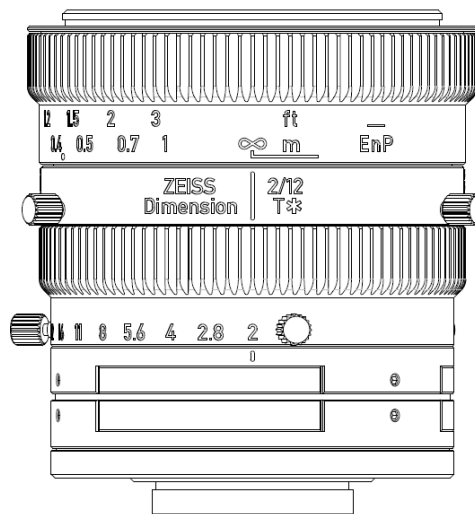
Camera Mount

Available with
C mount



ZEISS Dimension 2/12

Technical Specifications



Optical data:

| | |
|--|---|
| Focal length | 12 mm |
| Aperture range | f/2 – f/22 (continuous) |
| Number of elements / groups | 13 / 9 |
| Focus range (object to sensor) | 180,4 mm (0.59 ft.) – ∞ |
| Min. free working distance | 101,0 mm (0.33 ft.) |
| Angular field (diag. / horiz. / vert.) | 1" : 65.94°/56.73°/39.55° 4/3" : 82.53°/70.51°/56.00° |
| Max. diameter of image field | 1" : 16 mm (0.63"); 4/3" : 21.64 mm (0.83") |
| Flange focal length (in air) | 17,526 mm (0.69"), C mount |
| Coverage at close range | 1" : 133,9 mm x 88,7 mm (5,27 x 3,49") 4/3" : 176,5 mm x 131,8 mm (6,95 x 5,19") |
| Image ratio at close range | 1:10 |
| Position of entrance pupil (relative to image sensor) | 63,8 mm (2.51") |
| Position of exit pupil (relative to image sensor) | 38,9 mm (1.53") |

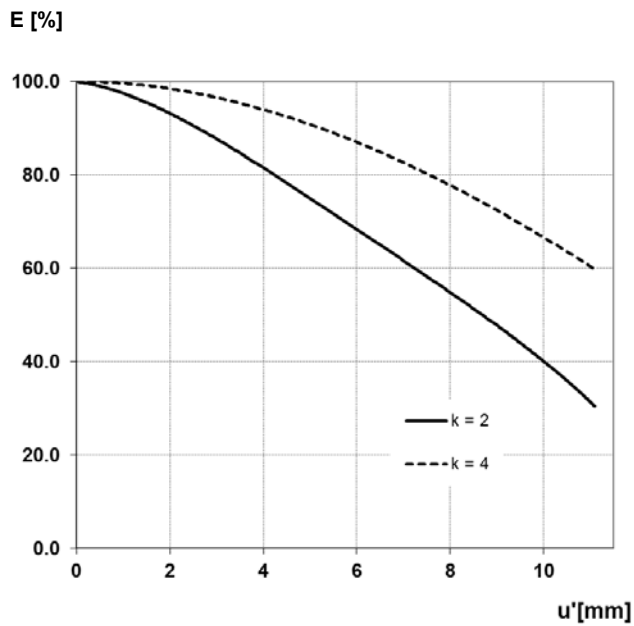
Physical data:

| | |
|--|------------------|
| Length (front to mount contact surface at inf.) | 60,0 mm (2.36") |
| Length (front to mount contact surface at MOD) | 60,0 mm (2.36") |
| Diameter (lens only) | 57,0 mm (2.24") |
| Diameter (with fixation screws) | 64,0 mm (2.52") |
| Filter-thread | M43 x 0.75 |
| Weight | 264 g (0.58 lbs) |
| Camera mount | C mount |



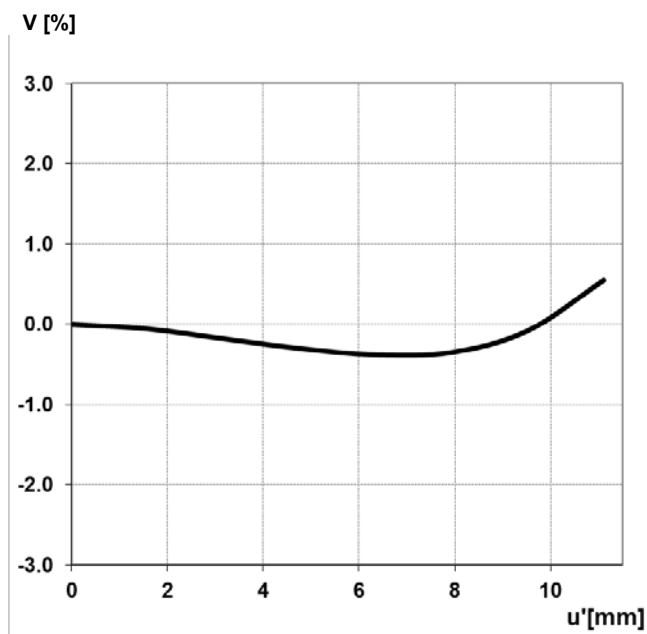
ZEISS Dimension 2/12

Relative Illuminance*



The relative illumination shows the decrease in image brightness from the image center to the edge in percent.

Relative Distortion*

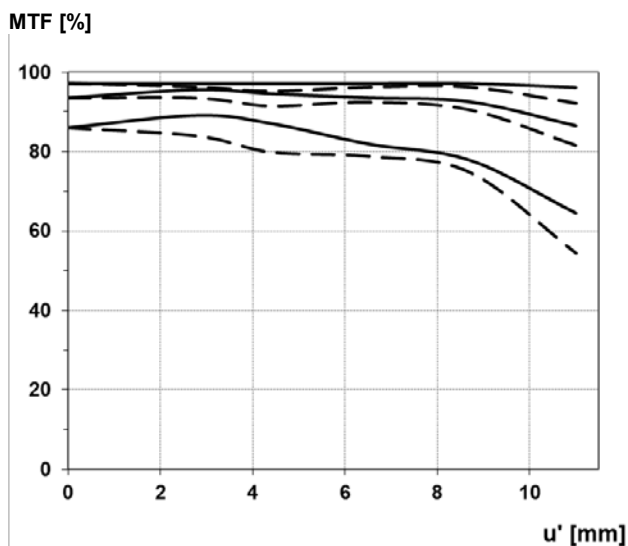


The relative distortion shows the deviation of the actual image height from the ideal one in percent.



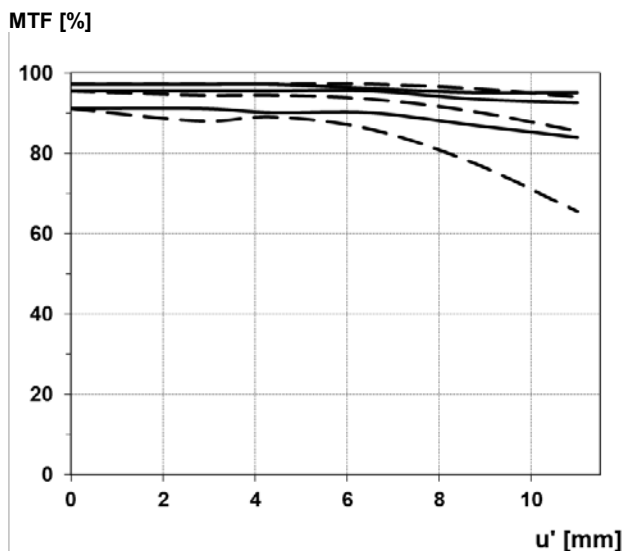
ZEISS Dimension 2/12

MTF Charts*



The Modulation Transfer (MTF) as a function of image height (u) and slit orientation (sagittal, tangential) has been measured with white light at spatial frequencies of $R = 10, 20$ and 40 cycles/mm.

f-number 2
— Sagittal
-- Tangential



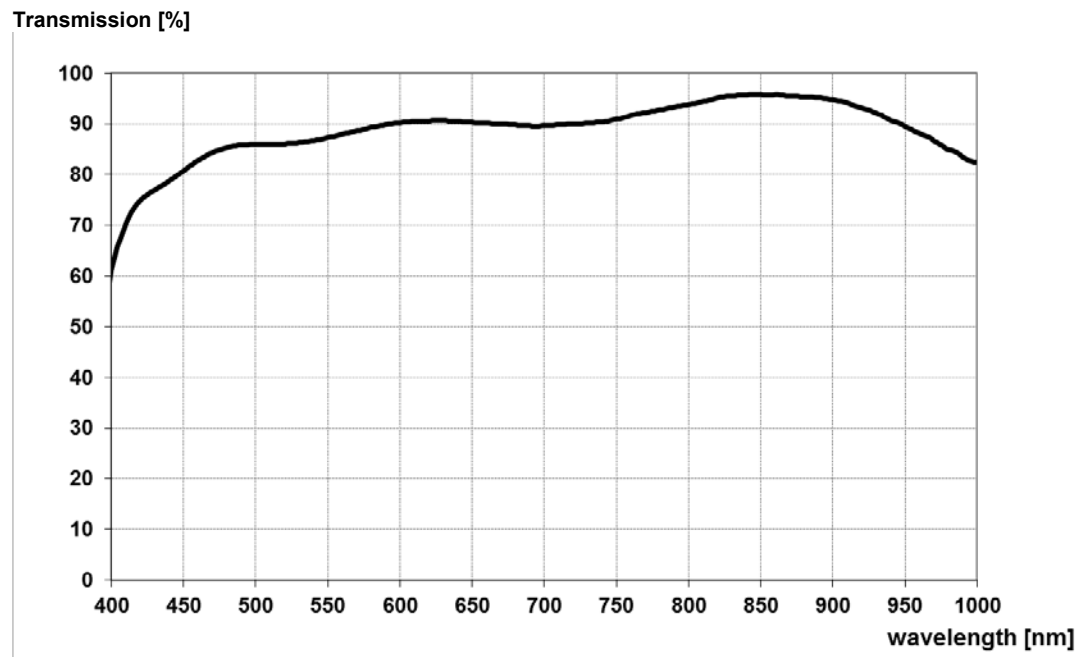
f-number 4
— Sagittal
-- Tangential

*Data for infinite focus setting



ZEISS Dimension 2/12

Spectral Transmission



OPT-ZEIS40-09/2018 · Subject to technical change without notice. No liability is accepted for errors which may be contained in this document.