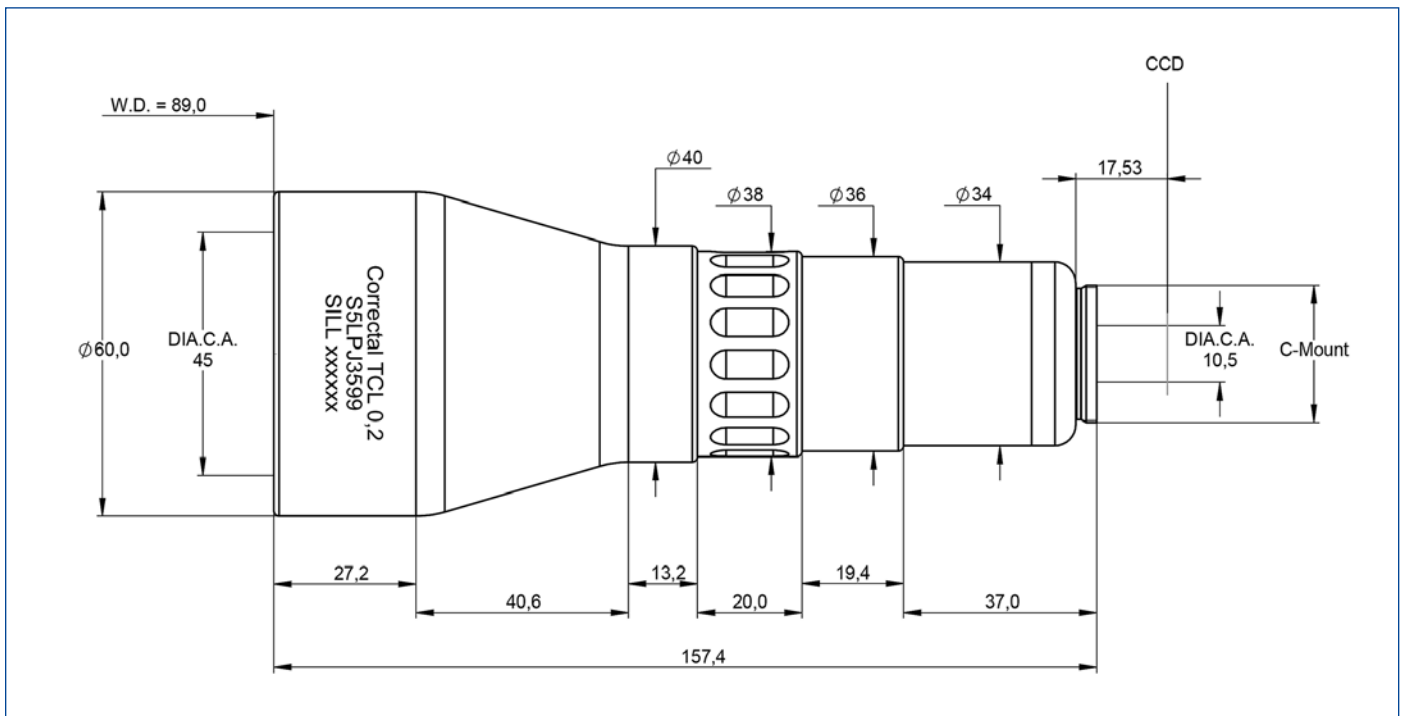


# DATA SHEET



## S5LPJ3599 Correctal® TCL50/0.2

- telecentric lens
- with c-mount
- with fixed iris



outline drawing

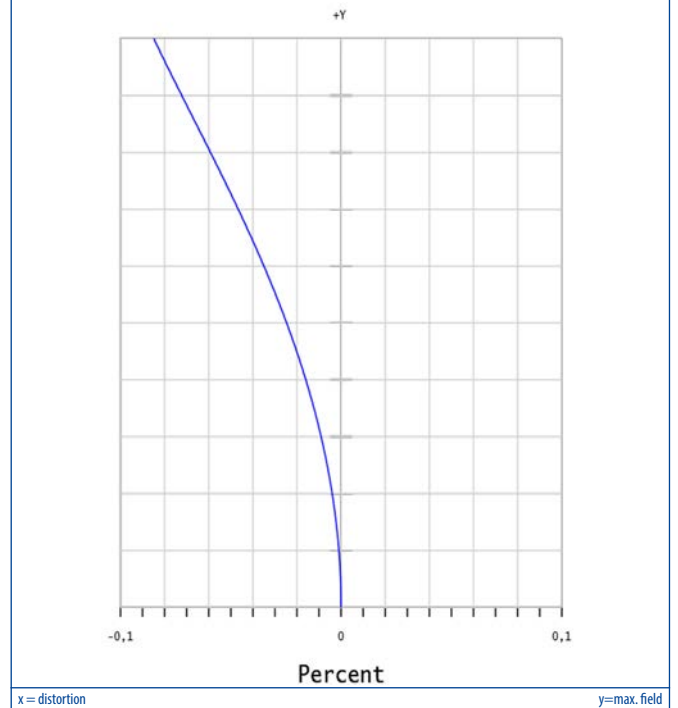
# DATA SHEET



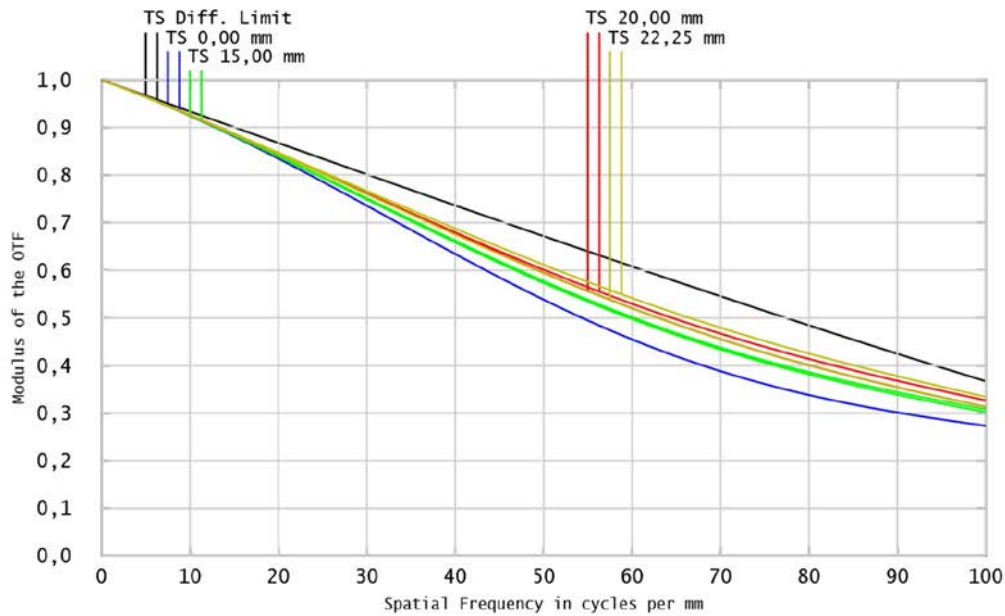
## specifications

article number	S5LPJ3599
design wavelength [nm]	450-700
magnification (+/-5%)	0.200
working distance [mm] (+/-2%)	89.0
object size [mm]	24 x 18
at a chip size of [mm]	4.8 x 3.6 (1/3")
distortion [%]	0.05
object size [mm]	32 x 24
at a chip size of [mm]	6.4 x 4.8 (1/2")
distortion [%]	0.09
object size [mm]	36 x 26.5
at a chip size of [mm]	7.2 x 5.3 (1/1.8")
distortion [%]	0.09
max. telecentricity error [°]	0.12
numerical aperture	0.02
weight [kg]	0.40
flange back distance [mm]	17.53
accessory	---

## Distortion for 586 nm



## MTF for various object heights at 586 nm



T. tangential

S. sagittal

graphs and data given by design.