

DATA SHEET

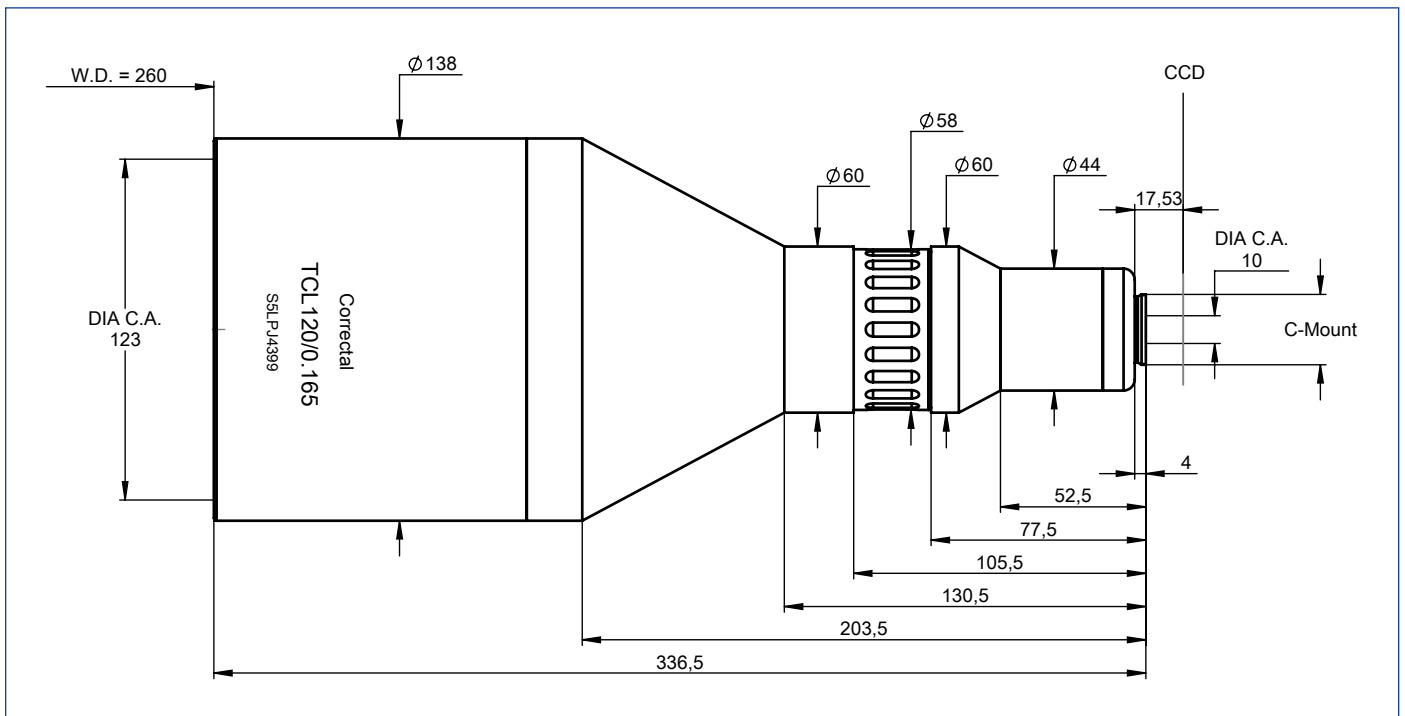


S5LPJ4399 Correctal® TCL120/0.165

- telecentric lens
- with c-mount
- with fixed iris



illustration only



outline drawing

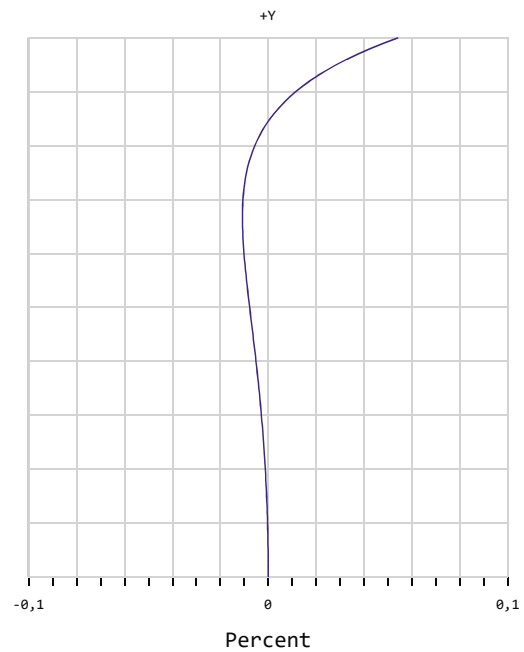
DATA SHEET



specifications

article number	S5LPJ4399
design wavelength [nm]	450-700
magnification (+/-5%)	0.165
working distance [mm] (+/-2%)	260.0
object size [mm]	53.3 x 40
at a chip size of [mm]	8.8 x 6.6 (2/3")
distortion [%]	0.01
object size [mm]	77.5 x 58.1
at a chip size of [mm]	12.8 x 9.6 (1")
distortion [%]	0.025
object size [mm]	85.4 x 64.2
at a chip size of [mm]	14.1 x 10.6 (1.1")
distortion [%]	0.07
max. telecentricity error [°]	0.19
numerical aperture	0.010
weight [kg]	2.40
flange back distance [mm]	17.53
accessory	S5SET0020/060

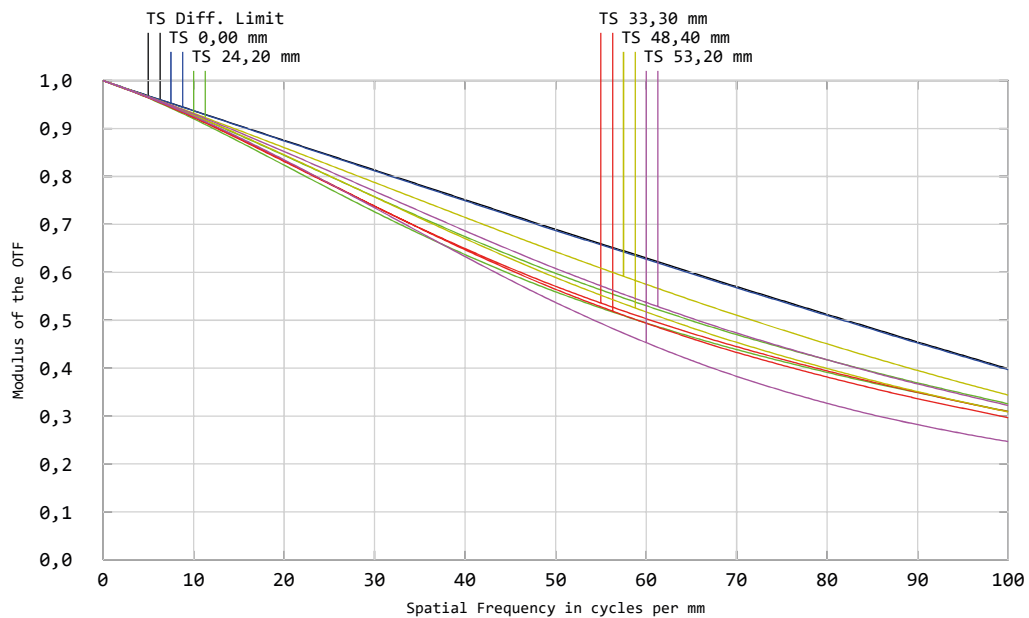
Distortion for 586 nm



x = distortion

y = max. field

MTF for various object heights at 586 nm



T. tangential

S. sagittal

graphs and data given by design.